

[®]
PROMOTECH



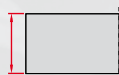
PRO 5 PB is a handy, portable pipe beveling machine suitable for milling edges of pipes made of carbon and stainless steels, aluminum alloys and copper-nickels.

It can be used efficiently by a single operator. Self-centering expandable mandrels provide quick and proper alignment to a pipe or a tube prior to machining operations.

Depending on the tool bits in use PRO 5 PB can perform external beveling, J-beveling, internal calibration and facing pipes from inside diameters of 32 mm (1.26") to outside diameters of 114 mm (4.49") or up to 140mm (5.51") as option. All these weld prep operations are made fast and easy. Up to three tool bits can be mounted and work, simultaneously.

According to users preferences and depending on site conditions PRO 5 PB machine can be operated with a high quality powerful pneumatic motor or top quality high torque electric motor.

Optional small spindle disc and ratchet wrench enable pipe machining in difficult to access and space restricted areas.



Max wall thickness
 12mm (0.47")
 up to OD 114mm (4.49")



ID 32-107mm (1.26 - 4.21")
 107-133mm (4.21 - 5.24")
 /option/



Facing off



Pipe OD beveling
 114mm (4.49")
 up to 140mm
 (5.51") /option/

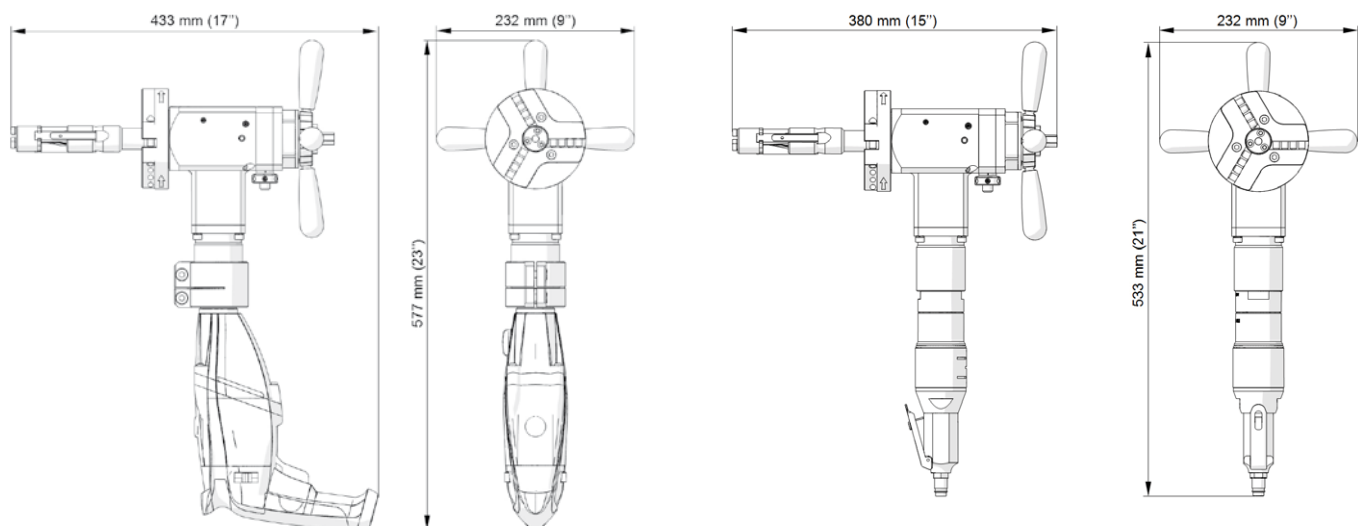


J-groove beveling

Technical specifications	PRO 5 PB with electric motor	PRO 5 PB with pneumatic motor	
Electric motor	1.100 W	-	
Supply	110-120V/50-60Hz or 220-240V/50-60Hz	-	
Rotational speed (nominal)	gear 1 – 0 to 90 rpm	-	
	gear 2 – 0 to 300 rpm	-	
Pneumatic drive	-	800 W	
Air requirement	-	0,6 MPa (87 PSI)	
Air consumption	-	1600 l/min (49.4 CFM)	
Rotational speed (nominal)	-	90 rpm	
Pipe diameter	32 mm ID to 114 mm OD (1.26–4.49")	32 mm ID to 114 mm OD (1.26–4.49")	
Maximum pipe wall thickness for outside diameter	up to 114 mm	12 mm (0.47")	12 mm (0.47")
	114–124 mm*	10 mm (0.39")	10 mm (0.39")
	124–132 mm*	8 mm (0.31")	8 mm (0.31")
	132–140 mm*	6 mm (0.24")	6 mm (0.24")
Weight (incl. motor)	11 kg (24 lbs)	10 kg (22 lbs)	

* Available with the optional 140 mm spindle disk set.

Dimensions



PRO 5 PB with electric motor

PRO 5 PB with pneumatic motor

Standard shipping set:

- PRO 5 PB (without motor, tool bits)
- Metal box
- Standard self-centering expandable mandrel for pipe ID \varnothing 32 – 107mm (1.26 – 4.21")
- 118mm spindle disc
- Jaw blocks (1,2,3,4,5,6) – 3 sets
- Set of tools
- Coolant container
- Operator's manual



Product Code: UKS-0472-10-00-00-0

OPTIONAL ACCESSORIES

Electric motor 230V with connection set
Product Code: ZST-0472-16-00-00-0



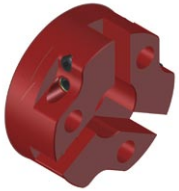
Electric motor 230V without connection set
Product Code: SLN-000176

Connection set for electric motor
Product Code: ZST-0472-11-00-00-1

Pneumatic motor
Product Code:
NPD-0472-03-00-00-0



Air preparation set
Product Code:
ZST-000021



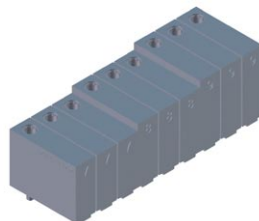
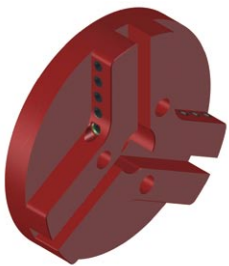
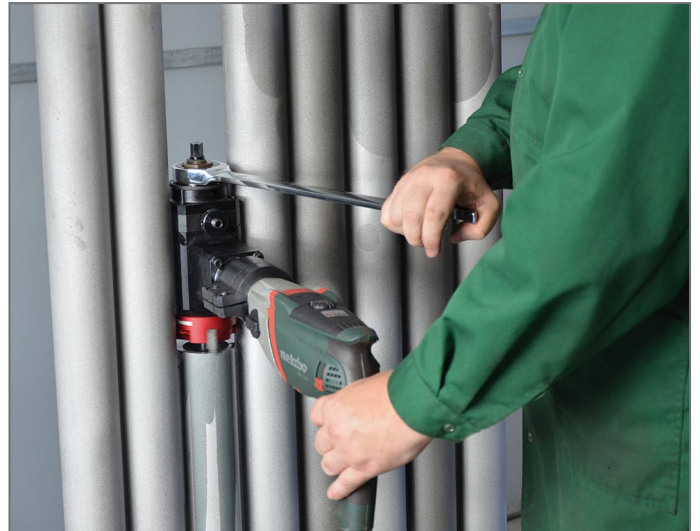
75 mm spindle disc
Product Code:
TRC-0472-12-00-00-0



Minimum distance between tubes is 75mm (2.95")

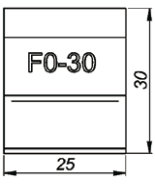
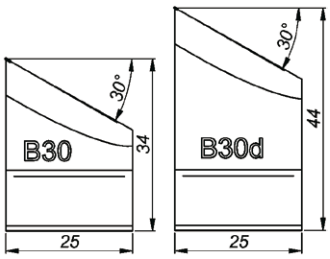
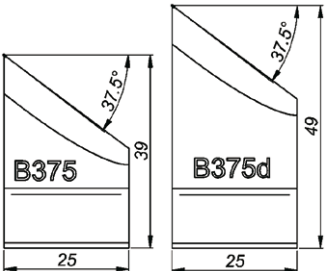
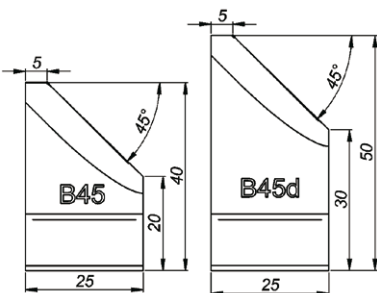


Ratchet wrench
Product Code: KLC-000045

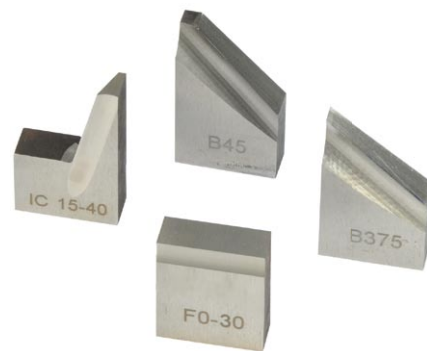


Extension set for OD Ø up to 140mm (5.51") including 140 mm spindle disc and jaw blocks (7, 8, 9) – 3 sets
Product Code: ZST-0472-15-00-00-0

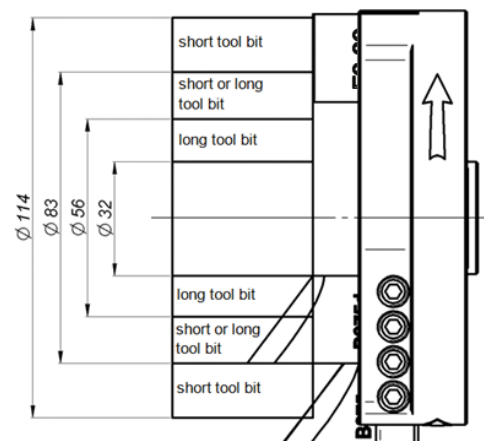


NOZ-000031	F0-30 0° facing tool bit	
NOZ-000032	B30 30° bevelling tool bit*	
NOZ-000033	B30d 30° bevelling tool bit**	
NOZ-000036	B375 37.5° bevelling tool bit*	
NOZ-000037	B375d 37.5° bevelling tool bit**	
NOZ-000040	B45 45° bevelling tool bit*	
NOZ-000041	B45d 45° bevelling tool bit**	

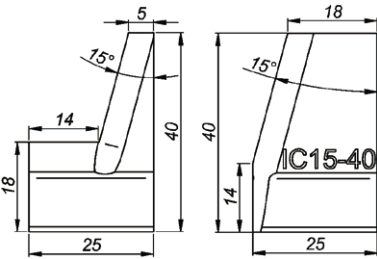
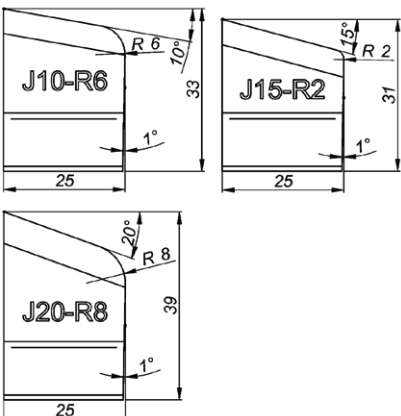
* for diameters over 56 mm, if works together with 0° facing tool bit
 ** for diameters under 83mm, if works together with 0° facing tool bit



Wide range of tool bits for various applications.



Together with 0° facing tool bit either standard or long beveling tool bits are in use depending on pipe diameter

NOZ-000052	IC15-40 15° internal calibration tool bit	
NOZ-000053	IC15-40 15° internal calibration tool bit (for diameters over 56 mm)	
NOZ-000058	J10-R6 10° J-bevelling tool bit	
NOZ-000057	J15-R2 15° J-bevelling tool bit	
NOZ-000059	J20-R8 20° J-bevelling tool bit	



Cutting fluid 0.5 kg (1.1 lbs)
 Product Code: OLJ-000004



Stainless steel machining is available by means of special tool bits

All information is subject to change without notice. 09.14



PROMOTECH Sp. z o.o.
 ul. Elewatorska 23/1, 15-620 BIAŁYSTOK, POLAND
 tel. (+48 85) 678 34 05, fax (+48 85) 662 78 77
 marketing@promotech.eu www.promotech.eu

Your local dealer: