

Operator's manual



TruTool S 450 (2A1)

TRUMPF GmbH + Co. KG, Technische Redaktion
Johann-Maus-Straße 2, D-71254 Ditzingen
Fon: +49 7156 303 - 0, Fax: +49 7156 303 - 930540
Internet: <http://www.trumpf.com>
E-Mail: docu.tw@de.trumpf.com

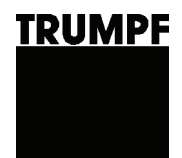


Table of contents

1	Safety	2
1.1	General safety information	2
1.2	Specific safety information for seam locker	2
2	Description	3
2.1	Intended use	3
2.2	Technical data	4
2.3	Icons	4
2.4	Noise and vibration information	5
3	Setting work	7
3.1	Setting the stroke rate (230V motor only)	7
3.2	Work station (optional)	7
3.3	Selecting blades	9
3.4	Selecting and setting cutting clearance	10
3.5	Set height of the moving cutter blade	12
4	Operation	14
4.1	Turning TruTool S 450 (2A1) on and off	14
4.2	Working with TruTool	14
4.3	Overload protective device on the motor	15
5	Maintenance	16
5.1	Changing blade	17
5.2	Changing the power cable	17
5.3	Replacing carbon brushes	18
6	Accessories and consumables	19
6.1	Ordering consumables	19
7	Appendix: Declaration of conformity, guarantee, replacement parts lists	21

1. Safety

1.1 General safety information

 **WARNING**



- Read all the safety information and instructions including those in the brochure also supplied.
- Failure to comply with the safety information and instructions can cause electric shock, burns and/or serious injury.
- Retain all the safety information and instructions for future use.

 **DANGER**

Electrical voltage! Risk of fatal injury due to electric shock!

- Remove the plug from the plug socket before undertaking any maintenance work on the machine.
- Check the plug, cable and machine for damage each time before using the machine.
- Keep the machine dry and do not operate it in damp rooms.
- Connect the fault current (FI) circuit breaker with a maximum breaking current of 30 mA when using the electric tool outside.
- Only use original TRUMPF accessories.

 **WARNING**

Damage to the machine due to improper handling.

- Wear safety glasses, hearing protection, breathing protection, protective gloves and working shoes when working.
- Connect the plug only when the machine is switched off. Pull the power plug after use.
- Do not carry the machine by the cable.
- Have maintenance carried out by specialists.

1.2 Specific safety information for seam locker

 **WARNING**

Risk of injury to hands.

- Do not reach into the processing line with your hands.
- Use both hands to hold the machine.

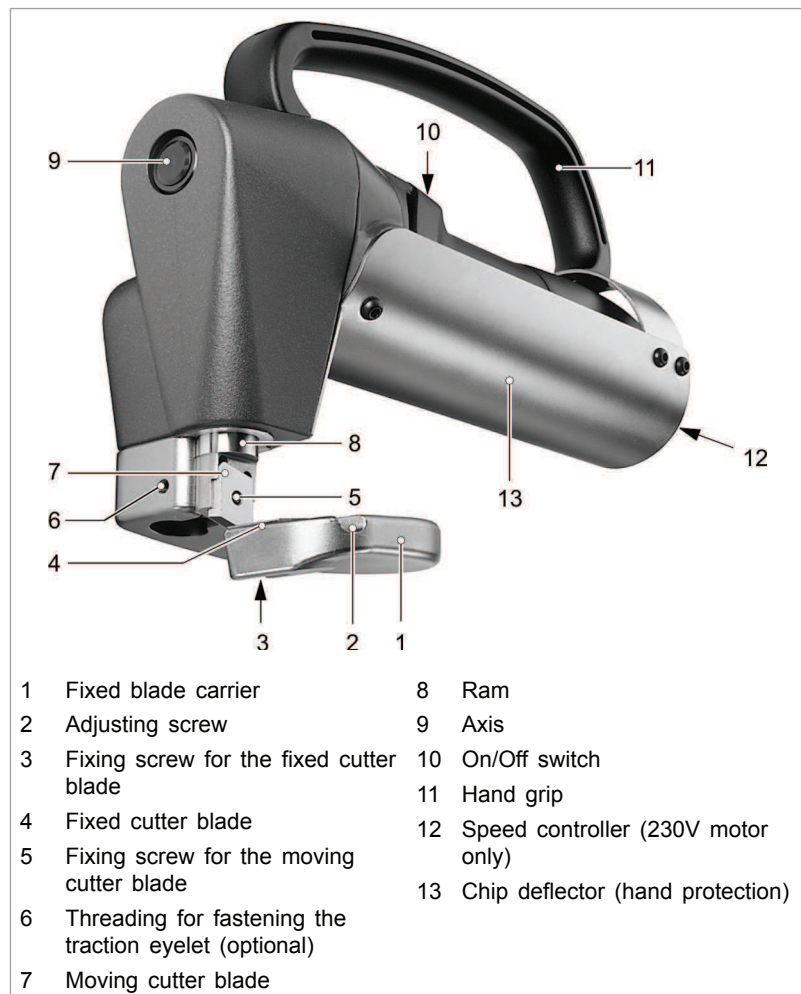
 **WARNING**

Risk of injury from hot and sharp chips!

Chips exit the chip ejector at high speed.

- Use a chip deflector, which is neither damaged nor bent.

2. Description



TruTool S 450 shears (2A1)

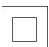



Fig. 28483

2.1 Intended use

The TRUMPF TruTool S 450 (2A1) shears is an electrically powered hand-held device for the following applications:

- Chip-free slitting and trimming of plate-shaped workpieces made of steel, aluminum, non-ferrous heavy metals and plastic.
- Producing straight-line and curved interior and exterior cut-outs.
- Slitting from scribed lines.
- Slitting from coils.

2.2 Technical data




	Other countries			USA
	Values	Values	Values	Values
Voltage	230 V	120 V	110 V	120 V
Frequency	50/60 Hz	50/60 Hz	50/60 Hz	50/60 Hz
Permissible material thickness: steel up to 400 N/mm²	4.5 mm (coil 4.0 mm)	4.5 mm (coil 4.0 mm)	4.5 mm (coil 4.0 mm)	0.179 in (coil 0.157 in)
Permissible material thickness: steel up to 600 N/mm²	3.5 mm (coil 3.0 mm)	3.5 mm (coil 3.0 mm)	3.5 mm (coil 3.0 mm)	0.138 in (coil 0.12 in)
Permissible material thickness: steel up to 800 N/mm²	2.5 mm (coil 2.0 mm)	2.5 mm (coil 2.0 mm)	2.5 mm (coil 2.0 mm)	0.1 in (coil 0.079 in)
Permissible material thickness: aluminum up to 250 N/mm²	5.0 mm	5.0 mm	5.0 mm	0.2 in
Working speed	4 - 6 m/min	4 - 6 m/min	4 - 6 m/min	13- 20 ft/min
Nominal power consumption	1400 W	1200 W	1140 W	1200 W
Idle stroke rate	1880/min	1420/min	1420/min	1420/min
Weight	6.2 kg	6.2 kg	6.2 kg	13.8 lbs
Starting hold diameter	75 mm	75 mm	75 mm	2.95 in
Smallest radius right/left	35 / 25 mm	35 / 25 mm	35 / 25 mm	1.38 / 0.984 in
Protective insulation	II / 	II / 	II / 	II / 

Tab. 1

2.3 Icons

Note

The following symbols are important for reading and understanding the operator's manual. The correct interpretation of the symbols will help you operate the machine better and safer.

Icon	Name	Meaning
	Read operator's manual	Read the operator's manual and safety information in their entirety before starting up the machine. Closely follow the instructions given.
	Safety class II	Indicates a doubly insulated tool.
	Alternating current	Type or property of current
V	Volt	Voltage
A	Ampere	Current, current input
Hz	Hertz	Frequency (oscillations per second)
W	Watt	Power, power input
mm	Millimeters	Dimensions e.g.: material thickness, chamfer length
in	Inch	Dimensions e.g.: material thickness, chamfer length
n ₀	Idle speed	Revolution speed without load

Icon	Name	Meaning
.../min	Revolutions/strokes per minute	Revolution speed, stroke rate per minute

Tab. 2

2.4 Noise and vibration information



Noise emission value may be exceeded.

- Wear hearing protection.



The vibration emission value can be exceeded!

- Select the right tools and exchange them in time in the event of wear.
- Have maintenance carried out by trained specialized technicians.
- Define additional safety measures for protecting the operator from the effect of vibrations (e. g. keep hands warm, organization of working procedures, machining at normal feed force).
- Depending on the operating conditions and state of the electric tool, the actual load might be higher or lower than the specified measured value.

Notes

- The specified vibration emission value was measured in accordance with a standardized testing procedure and can be used to compare one electric tool with another.
- The specified vibration emission value can also be applied for a provisional estimate of the vibration load.
- Times during which either the machine is switched off or running but not actually in use can considerably reduce the vibration load during the entire working period.
- Times during which the machine works independently and self-propelled do not have to be calculated.

Designation of measured value	Unit	Value according to EN 60745
Vibration emission value a_h (vector sum of three directions)	m/s ²	8.8
A-class acoustic pressure level L_{PA} typically	dB (A)	84
A-class acoustic power level L_{WA} typically	dB (A)	95

Designation of measured value	Unit	Value according to EN 60745
Uncertainty K for noise emission value	dB	3

Tab. 3

3. Setting work

3.1 Setting the stroke rate (230V motor only)

Reduced stroke rates improve the working results:

- When processing precisely from scribed line.
- When processing radii.
- When processing steel with a strength $>400 \text{ N/mm}^2$ (better service life).



Fig. 71200

- Turn the wheel to adjust the speed.

3.2 Work station (optional)

NOTICE

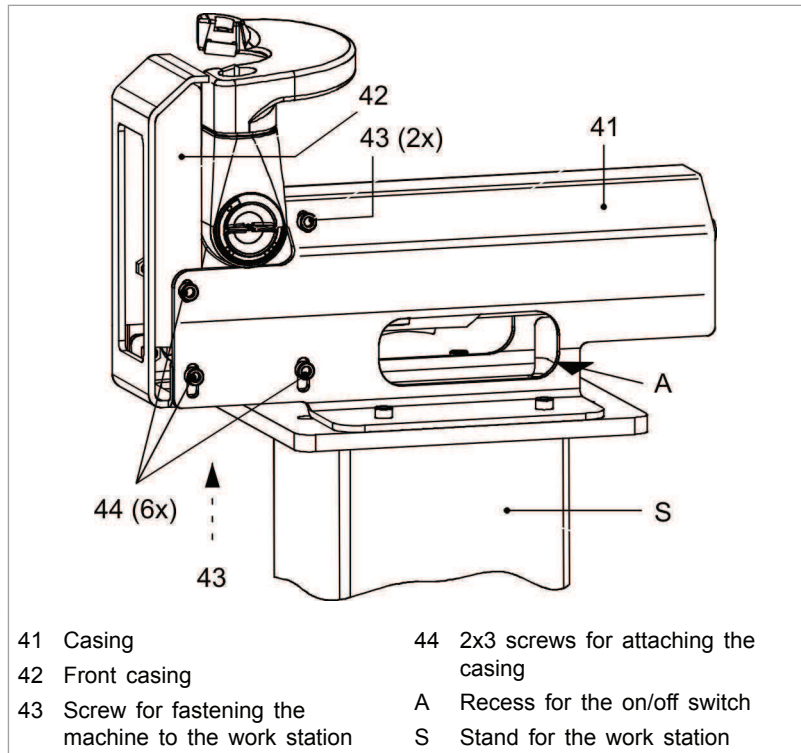
Property damage resulting from incorrect operation!

- Only move the workpiece into the machine once the machine is switched on and has reached the maximum speed.

⚠ DANGER

Electrical voltage! Risk of fatal injury due to electric shock!

- Remove the plug from the plug socket before changing the tool or undertaking any maintenance work on the machine.

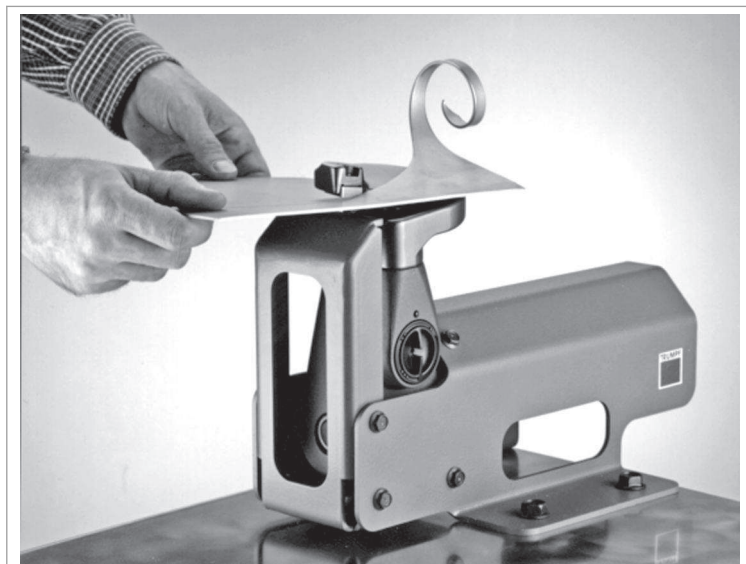


Workstation

Fig. 17461

The work station (order no. 979371) in which the machine can be fastened is used for machining small workpieces. It can be fastened using mounting holes:

- On a table (workbench).
- On a stand (order no. 003677).



Example: workpiece processing

Fig. 17464

1. Screw on bracket and chip deflector.

2. Place machine into casing (41).
3. Fasten machine into the casing with the screws (43 and 44).
4. Fasten work station onto a workbench or TRUMPF stand (order no. 003677) with four screws.

3.3 Selecting blades

NOTICE

Damage to property as a result of incorrect blade selection!

This strongly impairs the cut quality and the individual tools become overstressed.

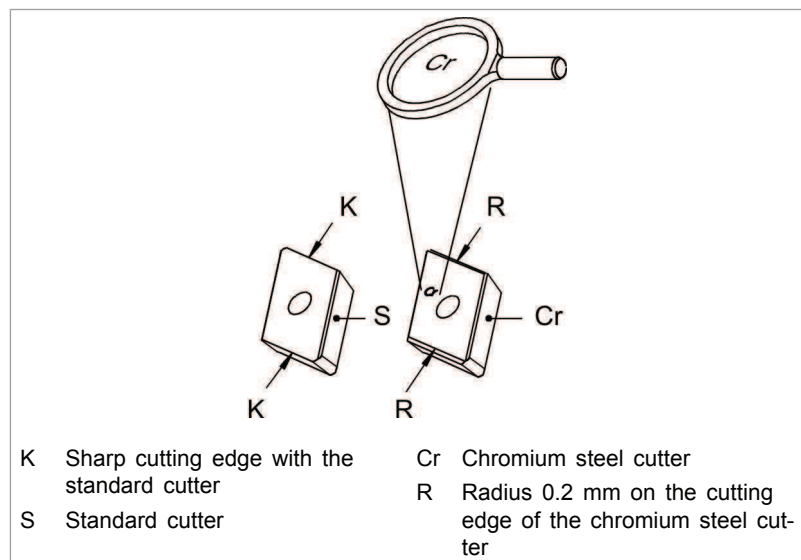
- Use suitable tools only.

The cutter is characterized by the following points:

- Moving cutter blade (upper blade) and fixed cutter blade (lower blade) are the same size and can be used (top or bottom) as much as desired.
- All cutters have two blades.
- They are "2-fold multi-edge cutters" which cannot be grinded again.

Note

Depending on the thickness or strength of the workpiece, two different types of blade can be selected for processing (see "Tab. 4", pg. 10).



Blade with type identification

Fig. 14843

Note

Standard configuration blades with a tensile strength $\leq 400 \text{ N/mm}^2$ do not have any special identification. Chromium steel blades are identified with "Cr".

For this reason, it is recommended that the tools only be used in accordance with the details mentioned in the table.

Cutter type	Sheet thickness ranges mm	Material type and tensile strength	Mat.-No.
Standard	1.0 - 5.0	Aluminum 250 N/mm ²	140451
Standard	1.5 - 4.5 (coil 1.0 - 4.0)	Mild steel 400 N/mm ²	140451
Standard	1.0 - 1.5)	Stainless steel 600 N/mm ²	140451
Cr	1.5 - 3.5 (coil 1.0 - 3.0)	Stainless steel 600 N/mm ²	140452
Cr	1.0 - 2.5 (coil 1.0 - 2.0)	Stainless steel 800 N/mm ²	140452

Tab. 4

3.4 Selecting and setting cutting clearance



Electrical voltage! Risk of fatal injury due to electric shock!

- Remove the plug from the plug socket before changing the tool or undertaking any maintenance work on the machine.

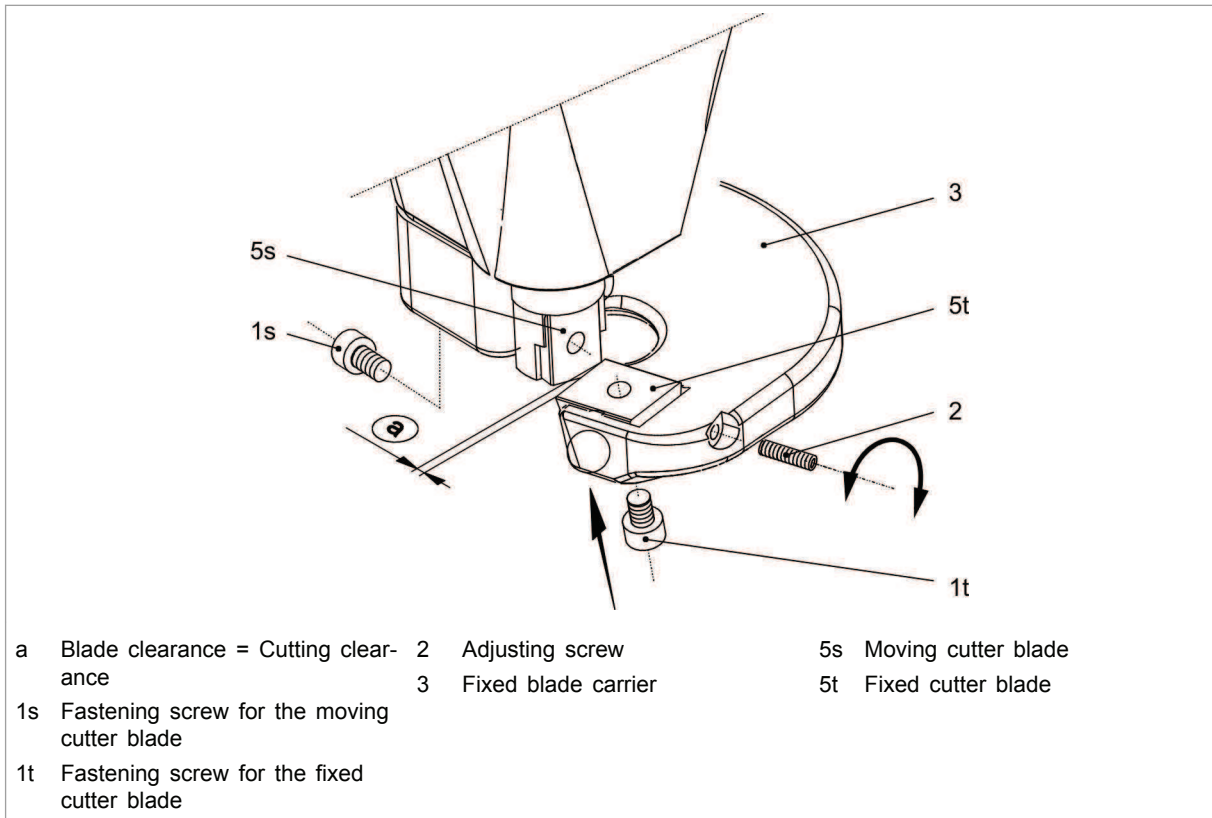


Fig. 14844

Selecting cutting clearance The cutting clearance needs to be 0.2x to the sheet thickness to be cut.

Examples:

Sheet thickness s mm	Blade clearance = Cutting clearance a mm
1.0	0.2
2.0	0.4
3.0	0.6
4.0	0.8
4.5	0.9

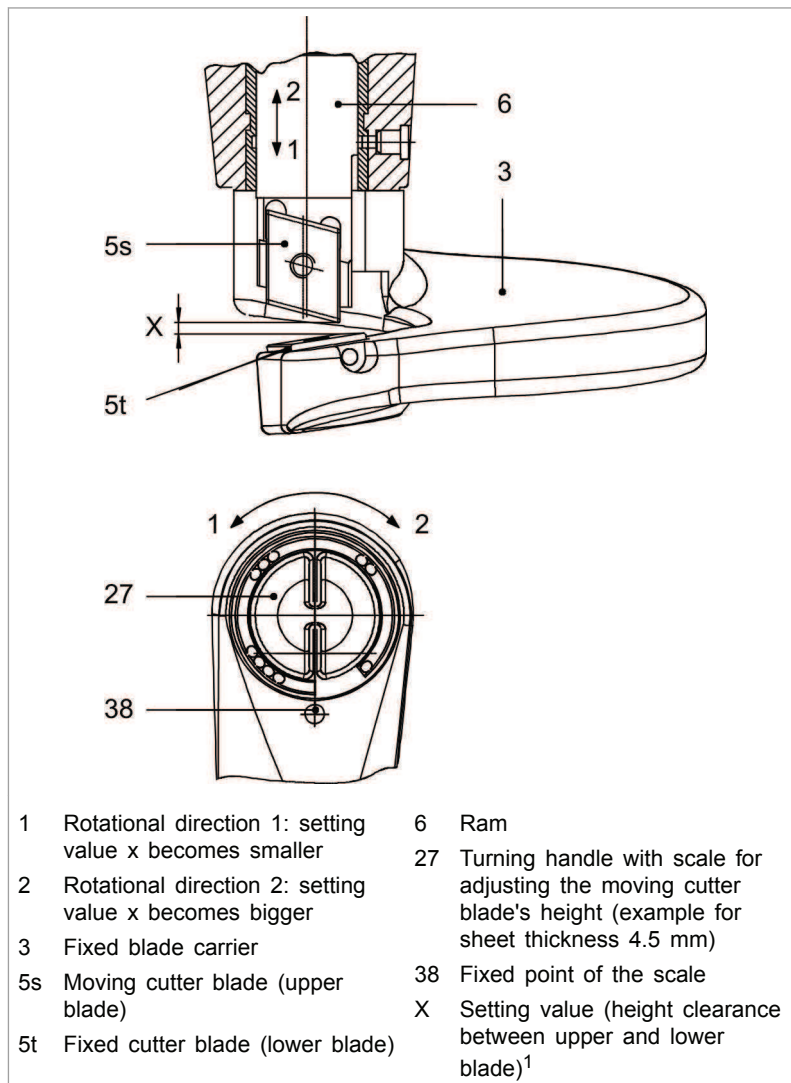
Tab. 5

Setting cutting clearance

1. Select cutting clearance.
2. Tap the on/off switch several times until the moving cutter blade (5s) has reached the lower dead point.
3. Gently fasten the fixed cutter blade (5t) with fixing screw (1t).
4. Set the fixed cutter blade (5t) to the desired cutting clearance using the adjusting screw (2) (check with feeler gauge).
5. Tighten the fixing screw (1t).
6. Gently tighten the adjusting screw (2).

3.5 Set height of the moving cutter blade

To achieve optimum cutting behavior both when slitting sheets and cutting curves, the distance between the moving and fixed cutter blades (plunging depth into the sheet) needs to be adapted to the intended cutting task and the sheet thickness.



Height adjustment of the moving cutter blade

Fig. 17460

1 The ram is located at the upper dead point.

Material thickness mm	Setting the turning handle		
	Cutting curves	Cutting straight lines	Cutting coils
4.5	4(+) ²	4(+)	-
4.0	4(+)	4	1
3.5	4	3(+)	1
3.0	3(+)	3	1
2.5	3	2(+)	1
2.0	2(+)	2	1
1.5	2	1(+)	1
1.0	1(+)	1	1

Recommended values

Tab. 6

- Pressing and rotating turning handle when machine is running or switched off.
The turning handle snaps into place when let go.
- There are marking points on the turning handle (27) which need to be set according to the sheet thickness and application.

This change in distance between the two cutters can be used to optimize the cutting behavior in an appropriate way.

2 (+) intermediate stage in rotational direction 2

4. Operation

⚠ CAUTION

Damage to property due to excessively high line voltage

Motor damage

- Check the line voltage. The power supply voltage must correspond to the information on the nameplate of the machine.
- When using an extension cord that is longer than 5 m, the cord must have a line diameter of at least 2.5 mm².

⚠ WARNING

Damage to the machine due to improper handling.

- Make sure the machine is always in a stable position when operating it.
- Never touch the tool while the machine is running.
- Always operate the machine away from your body.
- Do not operate the machine above your head.

4.1 Turning TruTool S 450 (2A1) on and off

Switching on the machine
Switching off the machine

1. Slide the On/Off switch forwards.
2. Slide the On/Off switch to the rear.

4.2 Working with TruTool

Cutting radii

- Do not cant machine.
- Work only with low feed.

Cutting at the edge

- Cutting in upside-down position.
- The cutting edge faces upwards.

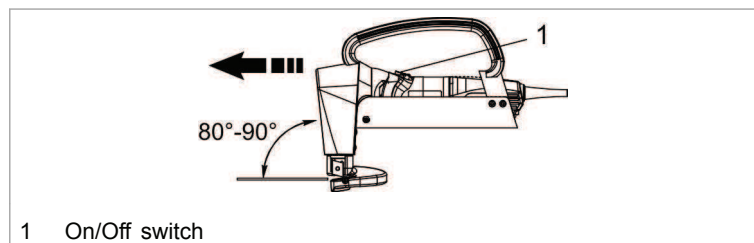


Fig. 28475

-
1. Do not move the machine towards the workpiece until full speed has been reached.
 2. Edit material.
 - Bring device to the sheet surface at an angle of 80 to 90°.

4.3 Overload protective device on the motor

Notes

- The appliance may switch off prematurely when affected by electromagnetic interference. The appliance will resume operation when the faults have been cleared.
 - If the motor temperature is too high, the motor will switch off.
1. Allow the machine to run in idle until it has cooled down.
 2. Operate the machine normally after it has cooled down.

5. Maintenance

⚠ DANGER

Risk of fatal injury due to electric shock!

- Remove the plug from the plug socket before changing the tool or undertaking any maintenance work on the machine.

⚠ CAUTION

Damage to property caused by blunt tools!

Machine overload.

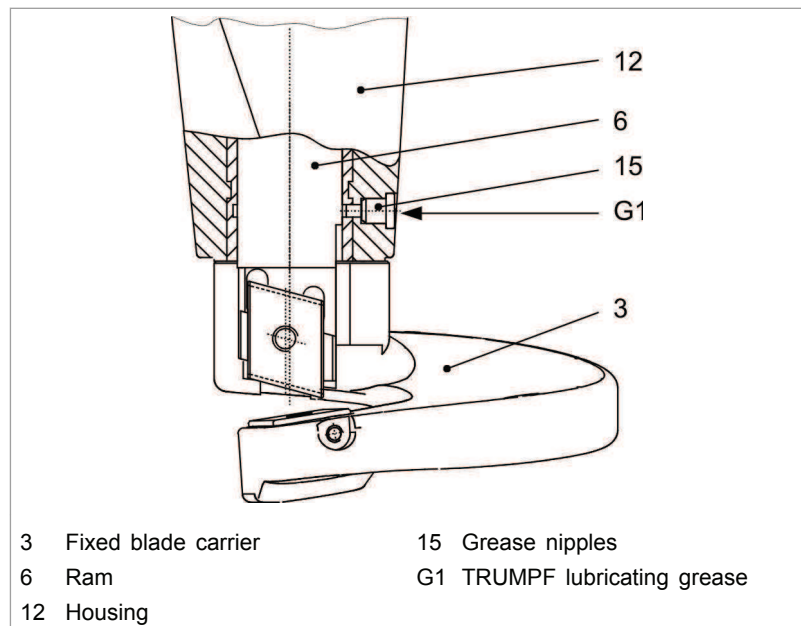
- Check the cutting edge of the punch hourly for wear. A sharp punch provides good cutting performance and is easier on the machine.
- Change the punch in a timely manner.

⚠ WARNING

Risk of injury due to incorrect repair work

Machine does not work properly.

- Maintenance may be carried out by trained specialist technicians only.



Grease nipple, ram guide

Fig. 28476

Maintenance point	Procedure and interval	Recommended lubricants	Order No.
Ram guide	Every 20 operating hours	Lubricating grease "G1"	139440
Gearbox and gear head	After 300 operating hours, arrange for a trained specialist to relubricate or to replace the lubricating grease.	Lubricating grease "G1"	139440
Fixed cutter blade	Turn if necessary	-	-
Fixed cutter blade	Change as needed	-	-
Moving cutter blade	Turn if necessary	-	-
Moving cutter blade	Change as needed	-	-
Ventilation slots	Clean as needed	-	-

Tab. 7

5.1 Changing blade

Turning/changing moving cutter blade

1. Setting turning handle (27) to grade "0" (ram at lower position).
2. Loosen the fixing screw (1s) (see "Fig. 17460", pg. 12).
3. Rotate moving cutter blade (5s) 180° and mount it again (or mount new blade).
4. Insert and tighten the fixing screw (1s).

Turn/replace fixed cutter blade

5. Loosen the fixing screw (1t).

Note

Take cutting clearance into consideration.

6. Turn the fixed cutter blade (5t) 180° and tighten with fixing screw (1t) again.

5.2 Changing the power cable

If the power cable is to be replaced, it should be procured from the manufacturer or an authorized dealer to avoid safety hazards.

Note

For TRUMPF service addresses, see www.trumpf-power-tools.com.

5.3 Replacing carbon brushes

The motor comes to a standstill whenever the carbon brushes are worn out.

Note

For TRUMPF service addresses, see www.trumpf-power-tools.com.

- Change the carbon brushes.

6. Accessories and consumables

Note

Moving cutter blade (upper blade) and cutting table blade (lower blade) are the same size and can be used (top or bottom) as much as desired. All cutters have two blades.

They are "2-fold multi-edge cutters" which cannot be grinded again.

Name	Scope of delivery	Consumables	Accessories	Order number
2 standard cutters for processing mild steel (moving cutter blade and fixed cutter blade, installed)	X	-	-	140451
2 chromium steel cutters for processing high-tensile sheets (moving cutter blade and fixed cutter blade, installed)	X	-	-	140452
Lubricating grease "G1"	X	-	-	0344969
Case	X	-	-	0982541
Feeler gauge	-	X	-	056856
Allen key DIN 911-2	-	X	-	002946
Allen key DIN 911-5	-	X	-	067857
Grease gun	-	X	-	0975466
Traction eyelet	-	-	X	107668
Workstation	-	-	X	979371
Pedestal for work station			X	003677
Work station and pedestal			X	918382
Operator's manual	X	-	-	1893442
Safety information, other countries	X	-	-	125699
Safety information (red document), USA	X	-	-	1239438

Tab. 8

6.1 Ordering consumables

Note

The following data must be specified in order to ensure that parts are delivered correctly and without delay.

1. Specify the order number.
2. Enter further order data:
 - Voltage data
 - Quantity
 - Machine type
3. Specify the complete shipping information:



-
- Correct address.
 - Desired delivery type (e.g. air mail, courier, express mail, ordinary freight, parcel post).

Note

For TRUMPF service addresses, see
www.trumpf-powertools.com.

4. Send the order to the TRUMPF representative office.

**7. Appendix: Declaration of conformity,
guarantee, replacement parts lists**

