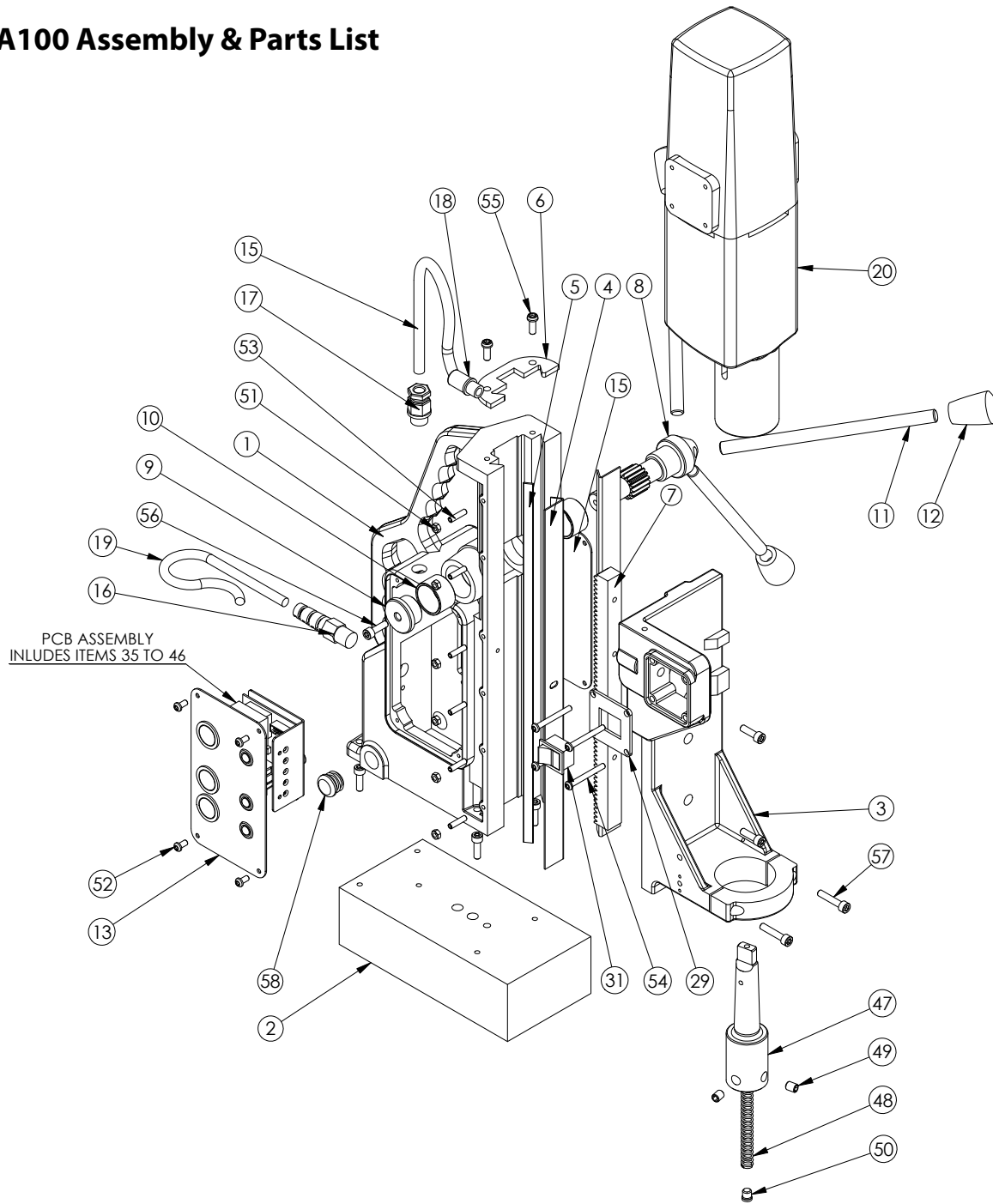
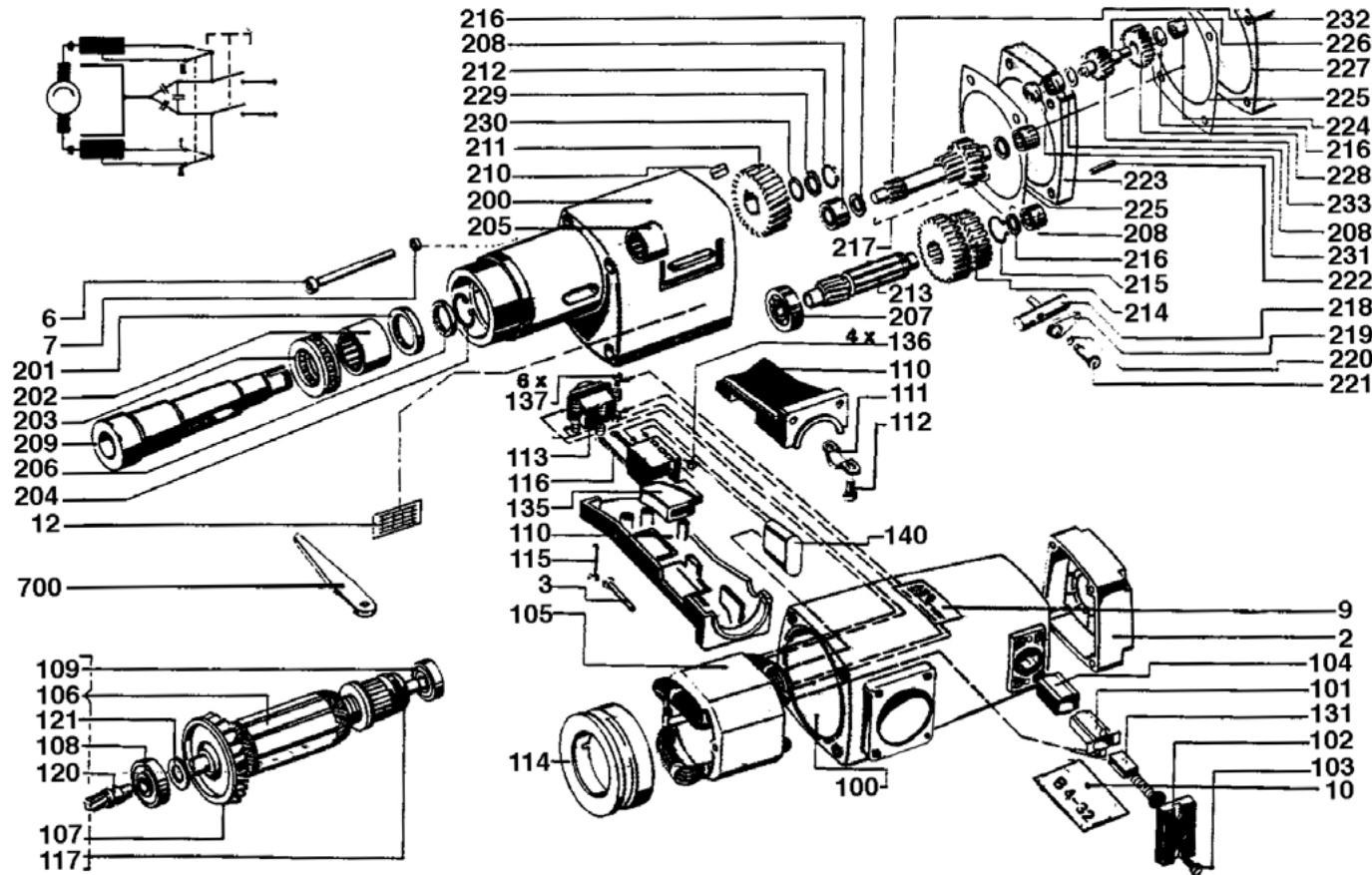


# A100 Assembly & Parts List



ITEM NO	PART NO	DESCRIPTION	QTY
1	M0005BLU	MT50 BODY (CAPRI BLUE)	1
2	M0033	MAGNET BASE (LARGE)	1
3	RM315	CRADLE (7 SERIES)	1
4	M0103	BRASS RAIL (MT50)	2
5	M0442	G.F.S. (MT50)	1
6	M0813	TOP PLATE (MAGTRON DOVETAIL)	1
7	M0833	RACK (MT50)	1
8	M0042	PINION - MAGTRON (LARGE)	1
9	M0071	PINION END CAP (SHALLOW)	1
10	M0081	BUSH (PINION)	2
11	20346	HANDLE (12mm LARGE)	3
12	10082	HANDLE KNOB (12mm KNOCK ON)	3
13	M0242B	A100 SWITCH PLATE	1
14	M0224B	S60MT/E100S WARNING PLATE	1
15	10096	CONDUIT (GREY 10mm)	1
16	10231	M16 STRAIN RELIEF CABLE GLAND	1
17	20354	CABLE GLAND (M16)	1
18	40021	CABLE GLAND (PG7)	1
19	10237-1	CABLE YELLOW (110V)	1
20	AEG03	AEG B4-32 MOTOR -110V	1
21	STRAP01	OLYESTER WEBBING SAFETY STRAP	1
22	OIL09	COOLCUT 500ML OIL BOTTLE	1
23	KEY01	ALLEN KEY 2.5MM	1
24	KEY03	ALLEN KEY 4MM	1
25	KEY04	ALLEN KEY 5MM	1
26	DRIF02	DRIFT (No.3 M/TAPER)	1
27	CASE14	CARRYING CASE UNIBOR - PLASTIC	1
28	BOX01	BOX (UNIBOR SLEEVE)	1
29	M0049	SRM CRADLE SWITCH MOUNT PLATE	1
30	VISO12	LARGE ATLAS COPCO GUARD	1
31	RM220	2 SPEED SWITCH ROTAMAG	1
32	10093	M6 X 35 GUARD THUMB SCREW	2
33	10094	M6 GUARD SPACER	2
34	10089	LARGE 2 LEG GUARD GUIDE	2
35	MM1-17	PCB SUPPORT PLATE	1
36	MM1-1	MM1 MAGNET BUTTON - YELLOW	1
37	MM1-2	MM1 MOTOR BUTTON - GREEN	1
38	MM1-3	MM1 L.E.D. GROMMET	3
39	MM1-10	MM1 POWER BUTTON - RED	1
40	MM1-4	MM1 LED BOARD - C/W LEDs	1
41	MM1-5	MM1 REPLACEMENT PCB	1
42	MM1-6	MM1 3 PIN PLUG	1
43	MM1-7	MM1 4 PIN PLUG	1
44	MM1-11	MM1 HEAT CONDUCTOR	3
45	MM1-16	STAND OFF CLIP FOR NEW PANEL	3
46	MM1-13	NEW PANEL INSULATING BUSH	2
47	ARBO03-A	NO 3 MT ARBOR BODY	1
48	SPR101	ARBOR SPRING (M/TAPER)	1
49	10073	M10 X 10 SET SCREW (FLAT POINT)	2
50	10205A	ARBOR EJECTION PLUG (M/TAPER)	1
51	NUT-M5	M5 NUT	6
52	SC510BUT	M5 x 10 BUTTON HEAD SCREW	8
53	SC525GRUB	M5 x 25 GRUB SCREW	6
54	SC545BUT	M5 x 45 BUTTUN HEAD SCREW	4
55	SC616BUT	M6 x 16 BUTTON HEAD SCREW	2
56	SC620CAP	M6 x 20 CAP HEAD SCEW	7
57	SC630CAP	M6 x 30 CAP HEAD SCREW	2
58	M0062	BLANKING PLUG	2

# A100 Motor Parts List

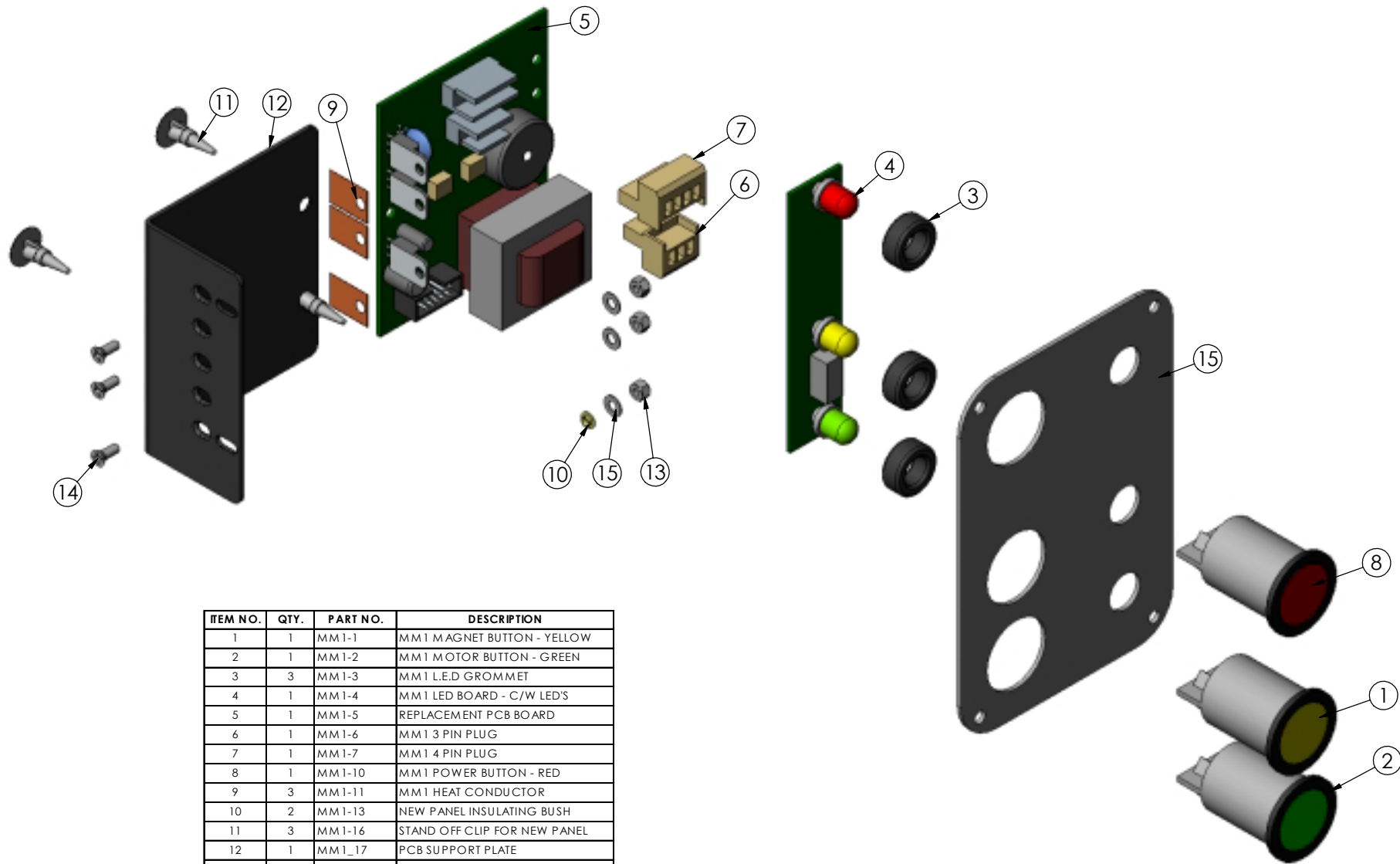


Pos	Qty	Article No.	Designation
0117	1	4931226193	INSULATING DISC
0120	1	4931263058	PINION
0121	1	4931620042	DISC
0131	1	4931392571	CARBON BRUSH SET
0131	1	4931392571	CARBON BRUSH SET
0135	1	4931338807	SWITCH
0136	4	4931621425	LEFT AND WORM
0137	6	4931619166	SCREW
0140	1	4931222575	CAPACITOR
0200	1	4931221957	GEAR BOX
0201	1	4931928554	SEAL RING
0202	1	4931928527	NEEDLE BEARING
0203	1	4931928515	BALL BEARING
0204	1	4931942134	SPRING RING
0205	1	4931928530	NEEDLE BEARING
0206	1	4931928566	SEAL RING
0207	1	4931928593	BALL BEARING
0208	3	4931805728	NEEDLE BEARING
0209	1	4931221711	DRILL SPINDLE
0210	1	4931224742	PARALLEL KEY
0211	1	4931221712	DRILL SPINDLE WHEEL
0212	1	4931605267	RING
0213	1	4931221714	REDUCT. GEAR SHAFT
0214	1	4931221722	INTERMEDIATE WHEEL
0215	1	4931617301	LOCKING RING
0216	5	4931939634	DISC
0217	1	4931221723	REDUCTION GEAR
0218	1	4931223605	SWITCH ROD
0219	1	4931328580	SWITCH LEVER
0220	1	4931928821	DISC
0221	1	4931616742	LEFT AND WORM
0222	1	4931600328	PIN
0223	1	4931222046	BEARING END PLATE
0224	2	4931928717	NEEDLE BEARING
0225	2	4931221850	GASKET
0226	1	4931222048	REDUCTION GEAR
0227	1	4931306640	BEARING END PLATE
0228	1	4931221717	REDUCTION GEAR
0229	1	4931937440	DISC
0230	1	4931808624	DISC
0231	1	4931805110	BALL BEARING
0232	1	4931221713	REDUCT. GEAR SHAFT
0233	1	4931222047	REDUCT. GEAR SHAFT
0700	1	4932604226	DRIFT KEY

Pos	Qty	Article No.	Designation
0002	1	4931222476	HOUSING CAP
0007	4	4931603768	RING
0010	1	4931355134	DATA PLATE
0012	1	4931227871	LABEL
0100	1	4931415011	MOTOR HOUSING
0101	2	4931222529	BRUSH HOLDER
0102	2	4931222532	BRUSH HOLDER CAP
0103	4	4931618241	LEFT AND WORM
0104	2	4931232582	BRUSH HOLDER INSUL
0105	1	4931229197	FIELD COIL 240v
0105	1	4931263071	FIELD COIL 110v
0106	1	4931263053	ARMATURE 240v
0106	1	4931263055	ARMATURE 110v
0107	1	4931243281	FAN BLADE
0108	1	4931398189	GROOVED BALL BEAR.

Pos	Qty	Article No.	Designation
0109	1	4931624101	BALL BEARING
0110	1	4931222300	HANDLE
0111	1	4931256500	CABLE COLLAR
0112	2	4931624538	LEFT AND WORM
0113	1	4931328579	SWITCH
0114	1	4931218031	AIR DEFLECTOR RING
0115	2	4931618253	SCREW
0116	2	4931222574	CONNECTION CABLE
0116	2	4931252735	CABLE
0117	1	4931226193	INSULATING DISC
0120	1	4931263058	PINION
0121	1	4931620042	DISC
0131	1	4931392571	CARBON BRUSH SET
0131	1	4931392571	CARBON BRUSH SET
0135	1	4931338807	SWITCH

## A100 Electronic Switchplate (Panel P) Dual voltage



ITEM NO.	QTY.	PART NO.	DESCRIPTION
1	1	MM1-1	MM1 MAGNET BUTTON - YELLOW
2	1	MM1-2	MM1 MOTOR BUTTON - GREEN
3	3	MM1-3	MM1 L.E.D GROMMET
4	1	MM1-4	MM1 LED BOARD - C/W LED'S
5	1	MM1-5	REPLACEMENT PCB BOARD
6	1	MM1-6	MM1 3 PIN PLUG
7	1	MM1-7	MM1 4 PIN PLUG
8	1	MM1-10	MM1 POWER BUTTON - RED
9	3	MM1-11	MM1 HEAT CONDUCTOR
10	2	MM1-13	NEW PANEL INSULATING BUSH
11	3	MM1-16	STAND OFF CLIP FOR NEW PANEL
12	1	MM1_17	PCB SUPPORT PLATE
13	3	NUT-M3	M3 NYLOC NUT
14	3	SC36CSK-X	M3 X 6 C'SINK CROSS HEAD SCREW
15	1	-	PANEL FACIA PLATE

**A100 Electronic Switchplate (Panel P) Wiring Diagram (240v)**

