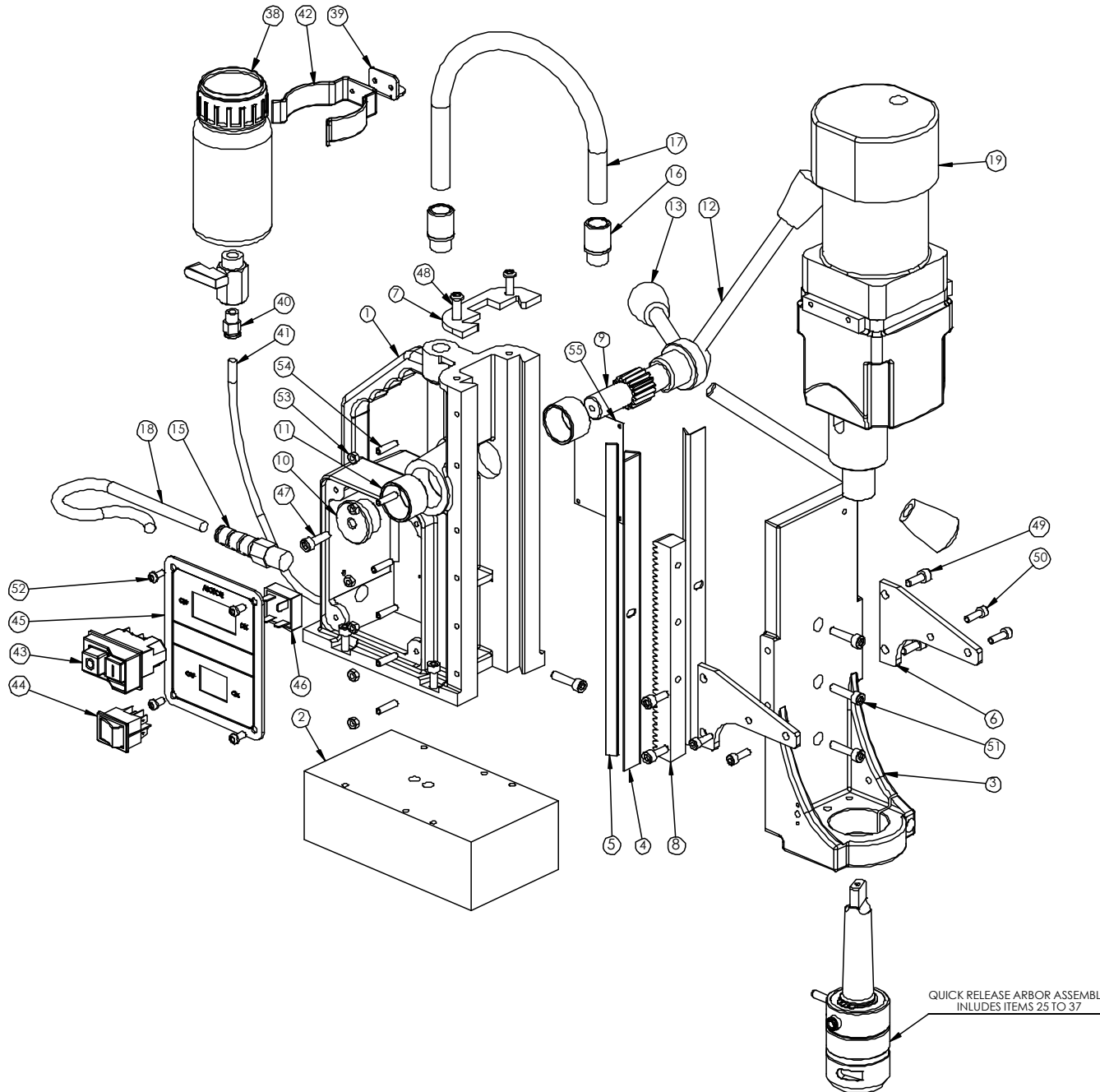


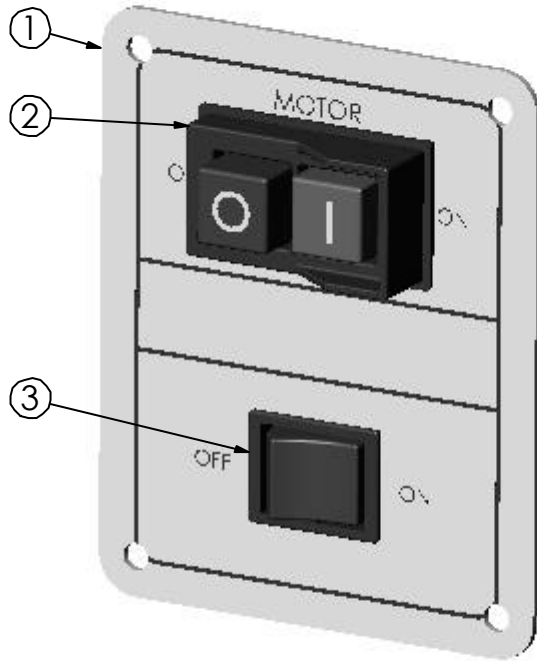
EQ50 Assembly & Parts List



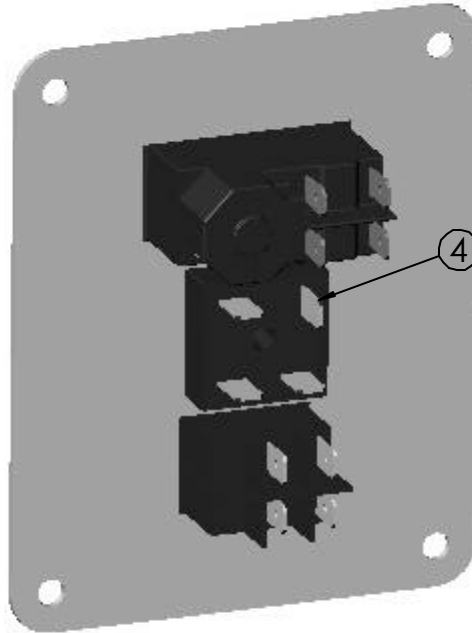
NOTE
GUARD DETAILS NOT SHOWN
IN EXPLODED VIEW

ITEM NO	PART NO	DESCRIPTION	QTY
1	20348BLU	BODY MINIBOR 1332	1
2	M0034	MAGNET BASE (MIDI)	1
3	20145	CRADLE - UNI 2	1
4	60100A	MINIBOR BRASS STRIP (ANGLED)	2
5	20389	G.F.S. (MINIBOR)	1
6	10362	UNI 2 SIDE BRACKET	2
7	10084	TOP PLATE (UNIBOR)	1
8	10215	RACK (MINIBOR)	1
9	M0042	PINION - MAGTRON (LARGE)	1
10	M0072	PINION END CAP (DEEP)	1
11	M0081	BUSH (PINION)	2
12	10081	HANDLE (12mm SMALL)	3
13	10082	HANDLE KNOB (12mm KNOCK ON)	3
14	10101	WARNING PLATE (UNIBOR)	1
15	10231	M16 STRAIN RELIEF CABLE GLAND	1
16	40026	M16 PUSH FIT GLAND	1
17	M0444	CONDUIT (BLACK)	1
18	CABL01	BLACK RUBBER CABLE	1
19	EIB02R	EIBEN UNI 2 DRILL - 240V (RAIL)	1
20	VIS009	SAFETY GUARD (UNI 2)	1
21	10099	M6 x 16 GUARD THUMB SCREW	2
22	10094	M6 GUARD SPACER	2
23	40025	PG9 PUSH FIT GLAND	1
24	10095	SMALL 2 LEG GUARD GUIDE	2
25	ARBQR-02	QUICK RELEASE ARBOR COLLAR	1
26	ARBQR-03	QUICK REL ARBOR LOCK SHOE	1
27	ARBQR-04	Q/RELEASE COLLAR SPRING	1
28	ARBQR-05	QUICK REL ARBOR TOR SPRING	2
29	ARBQR-06	20mm O/D x 4mm NITRILE O RING	1
30	SPRI01	ARBOR SPRING (MTAPER)	1
31	10205A	ARBOR EJECTION PLUG (MTAPER)	1
32	CCP-38V	38 O/D V INTERNAL CIRCLIP	1
33	M0505-A	2 M/T O/R ARBOR BODY	1
34	OILQR01	OIL RING QUICK RELEASE	2
35	M0066	6mm PUSH FIT FITTING	1
36	OILQR02	BS216 O RING	1
37	OILQR03	M6 STOP ROD	1
38	30046B	SMALL OIL CUP ASSEMBLY	2
39	10060	OILFEED BRACKET	1
40	50015A	1/8" BSP - 6mm PUSH FIT CONNECTION	1
41	50013A	6mm OIL PIPE (OIL FEED ASSY)	1
42	10076	OIL CUP RETAINING CLIP	1
43	NCP002	DRILL STOP/START SWITCH - 230V	1
44	NCP006	MAGNET SWITCH - NCP PANEL	1
45	NCP12	NCP SWITCH PLATE BLANK	1
46	M0401	25A - BRIDGE RECTIFIER	1
47	SC620CAP	M6 x 20 CAP SCREW	1
48	SC620BUT	M6 x 20 BUTTON HEAD SCREW	2
49	SC616CAP	M6 x 16 CAP SCREW	4
50	SC516CAP	M5 x 15 CAP SCREW	4
51	SC625CAP	M6 x 25 CAP SCREW	4
52	SC510BUT	M5 x 10 BUTTON HEAD SCREW	4
53	NUT-M5	M5 NUT	6
54	SC520GRUB	M5 x 20 GRUB SCREW	7
55	10100	WARNING PLATE	1

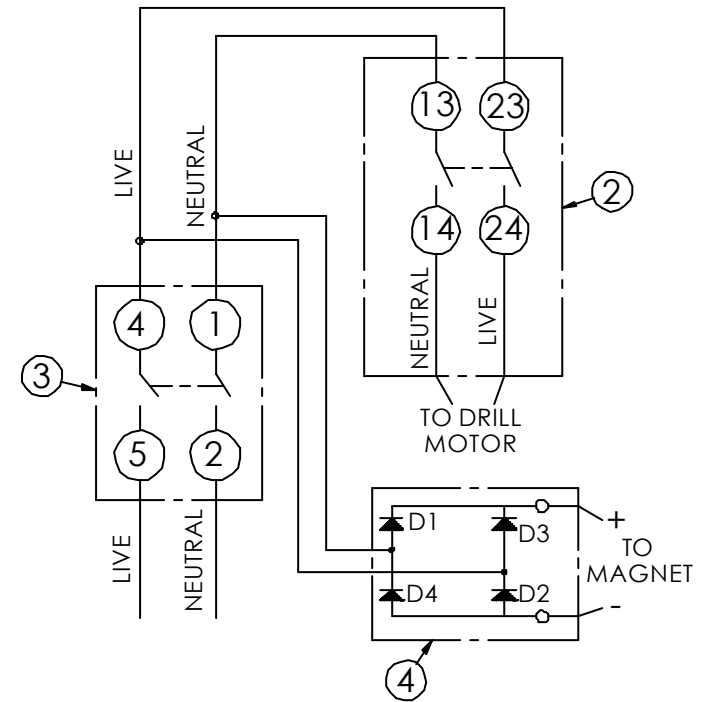
EQ50 Mechanical Switchplate (NCP Panel) 120v



FRONT VIEW



REAR VIEW

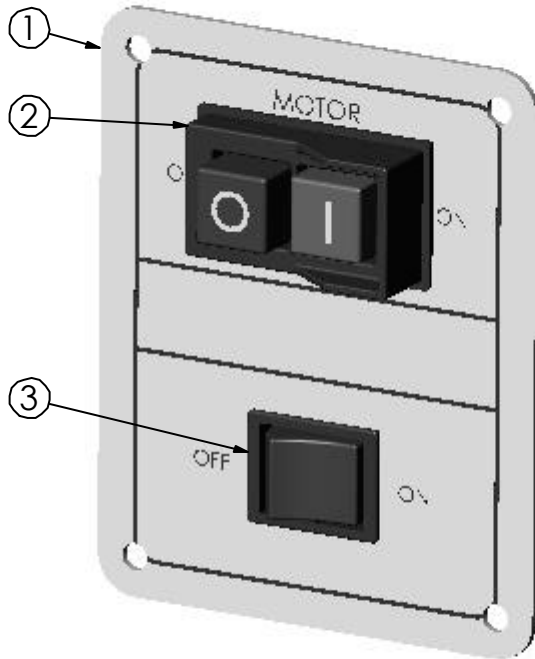


NOTES:

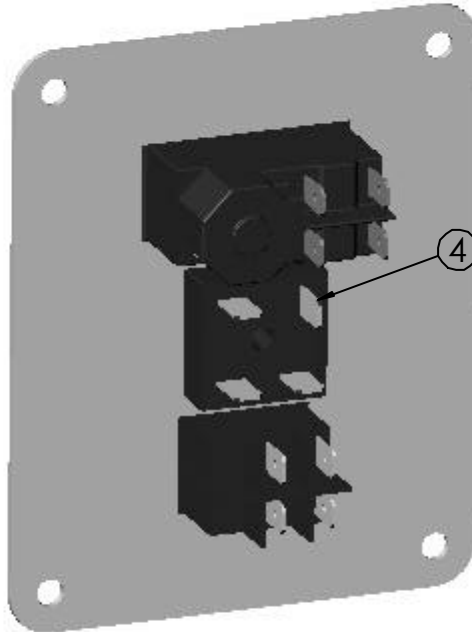
- 1. ITEM4 TO BE BONDED TO REAR OF PLATE

ITEM NO.	QTY.	PART NO.	DESCRIPTION
1	1	NCP12	NCP SWITCH PLATE BLANK (MED)
2	1	NCP001	DRILL STOP/START SWITCH-120v
3	1	NCP006	MAGNET SWITCH-NCP PANEL
4	1	M0401	25A-BRIDGE RECTIFIER

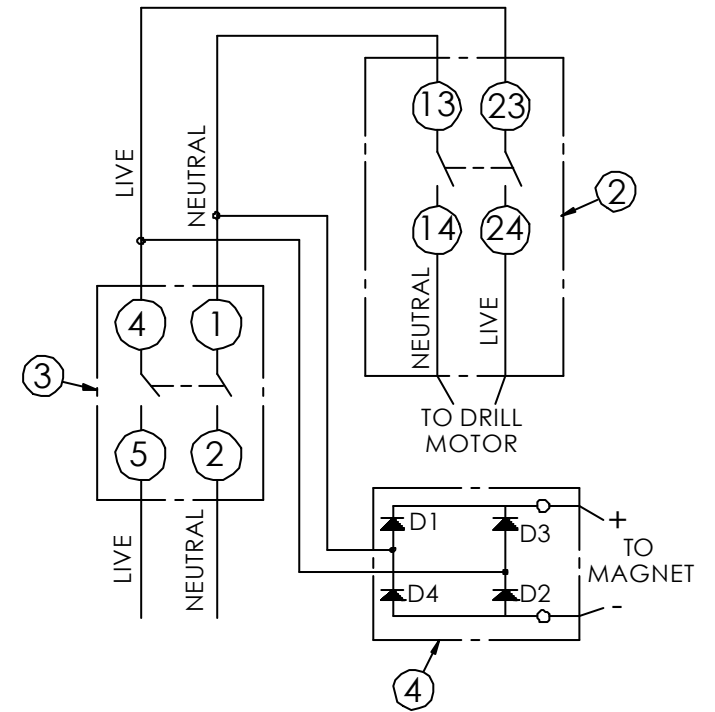
EQ50 Mechanical Switchplate (NCP Panel) 240v



FRONT VIEW



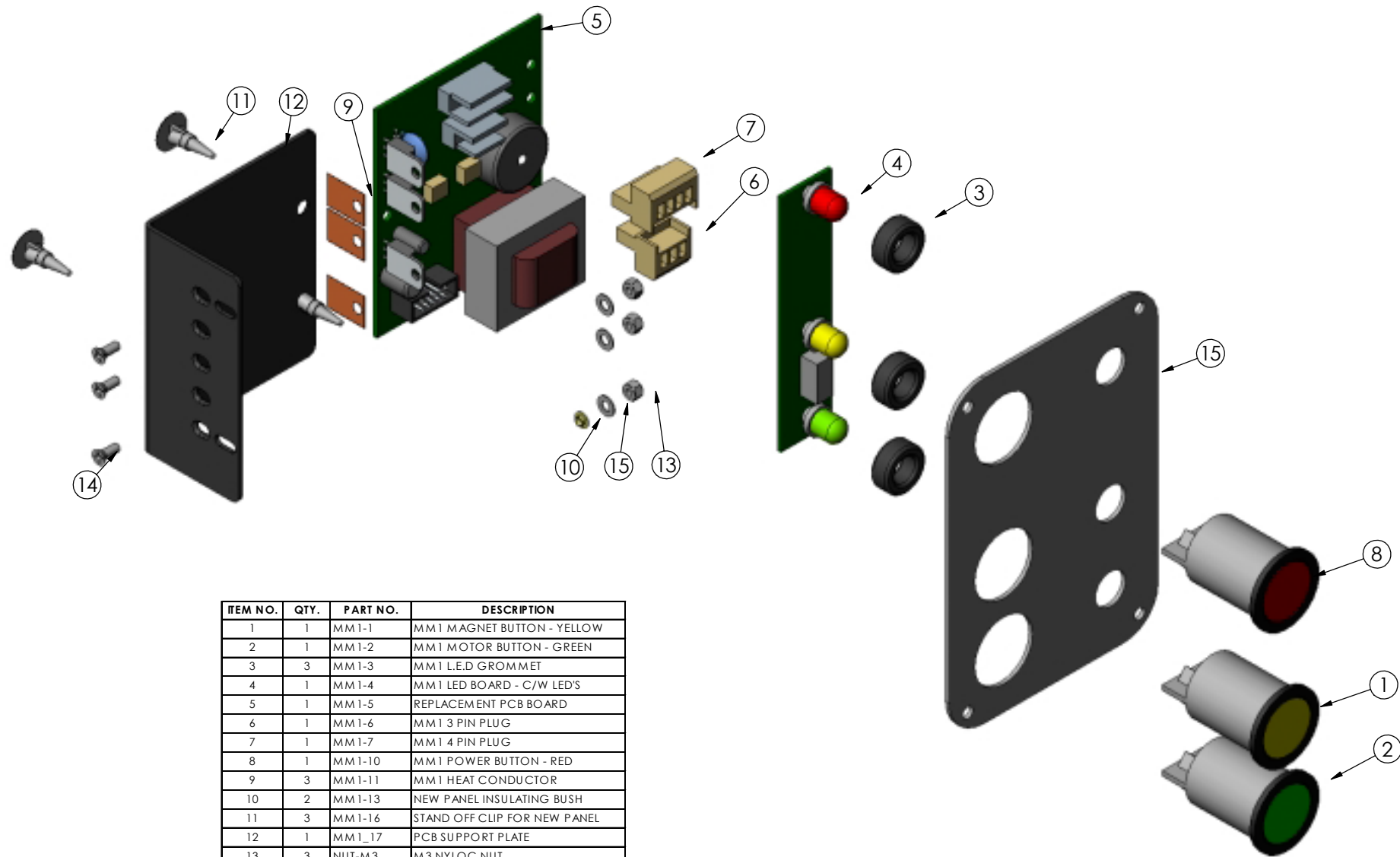
REAR VIEW



NOTES:
1. ITEM4 TO BE BONDED
TO REAR OF PLATE

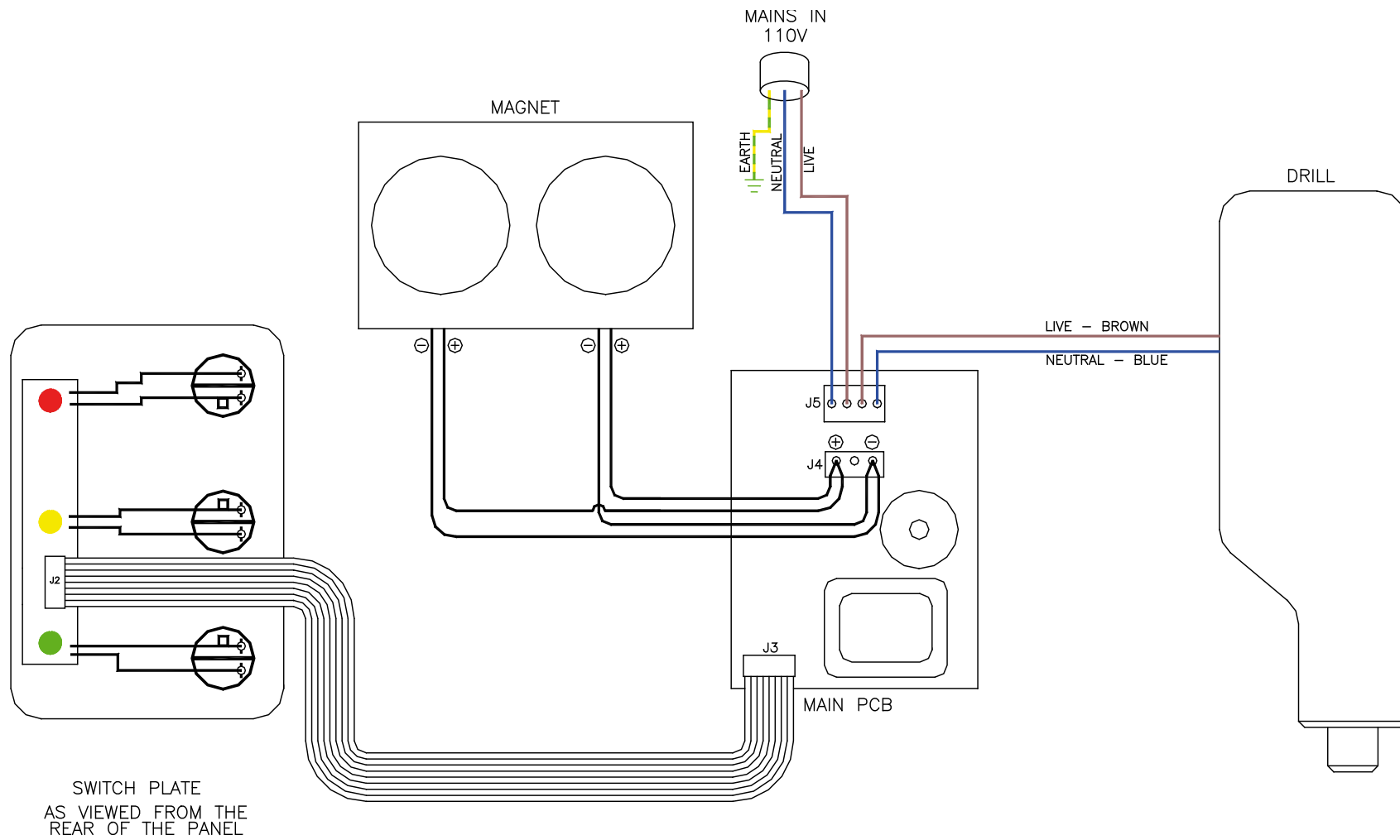
ITEM NO.	QTY.	PART NO.	DESCRIPTION
1	1	NCP12	NCP SWITCH PLATE BLANK (MED)
2	1	NCP002	DRILL STOP/START SWITCH-240v
3	1	NCP006	MAGNET SWITCH-NCP PANEL
4	1	M0401	25A-BRIDGE RECTIFIER

EQ50 Electronic Switchplate (Panel P) Dual voltage



ITEM NO.	QTY.	PART NO.	DESCRIPTION
1	1	MM1-1	MM1 MAGNET BUTTON - YELLOW
2	1	MM1-2	MM1 MOTOR BUTTON - GREEN
3	3	MM1-3	MM1 L.E.D GROMMET
4	1	MM1-4	MM1 LED BOARD - C/W LED'S
5	1	MM1-5	REPLACEMENT PCB BOARD
6	1	MM1-6	MM1 3 PIN PLUG
7	1	MM1-7	MM1 4 PIN PLUG
8	1	MM1-10	MM1 POWER BUTTON - RED
9	3	MM1-11	MM1 HEAT CONDUCTOR
10	2	MM1-13	NEW PANEL INSULATING BUSH
11	3	MM1-16	STAND OFF CLIP FOR NEW PANEL
12	1	MM1_17	PCB SUPPORT PLATE
13	3	NUT-M3	M3 NYLOC NUT
14	3	SC36CSK-X	M3 X 6 C'SINK CROSS HEAD SCREW
15	1	-	PANEL FACIA PLATE

EQ50 Electronic Switchplate (Panel P) Wiring Diagram 110v



EQ50 Electronic Switchplate (Panel P) Wiring Diagram 240v

