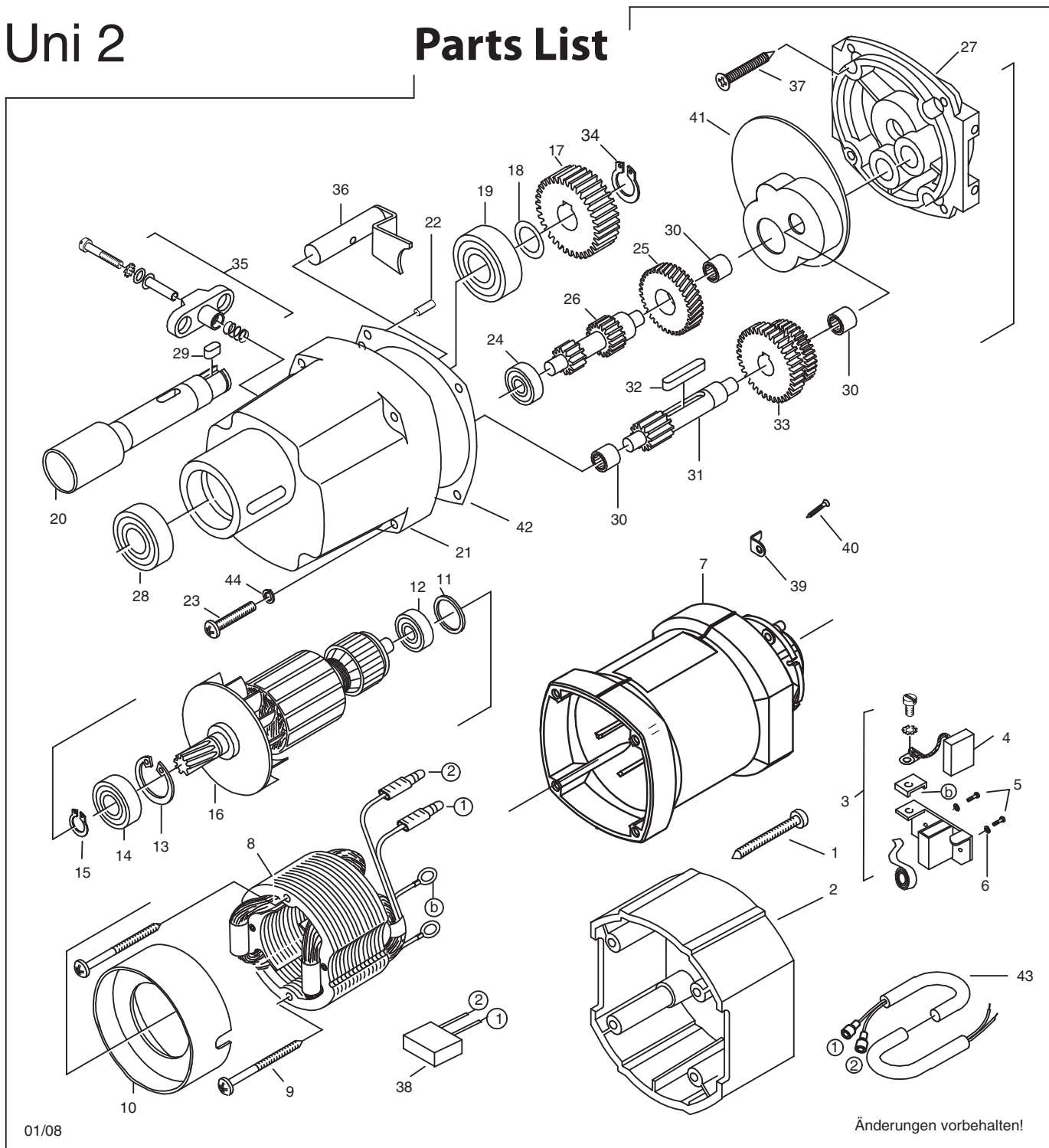


# Uni 2

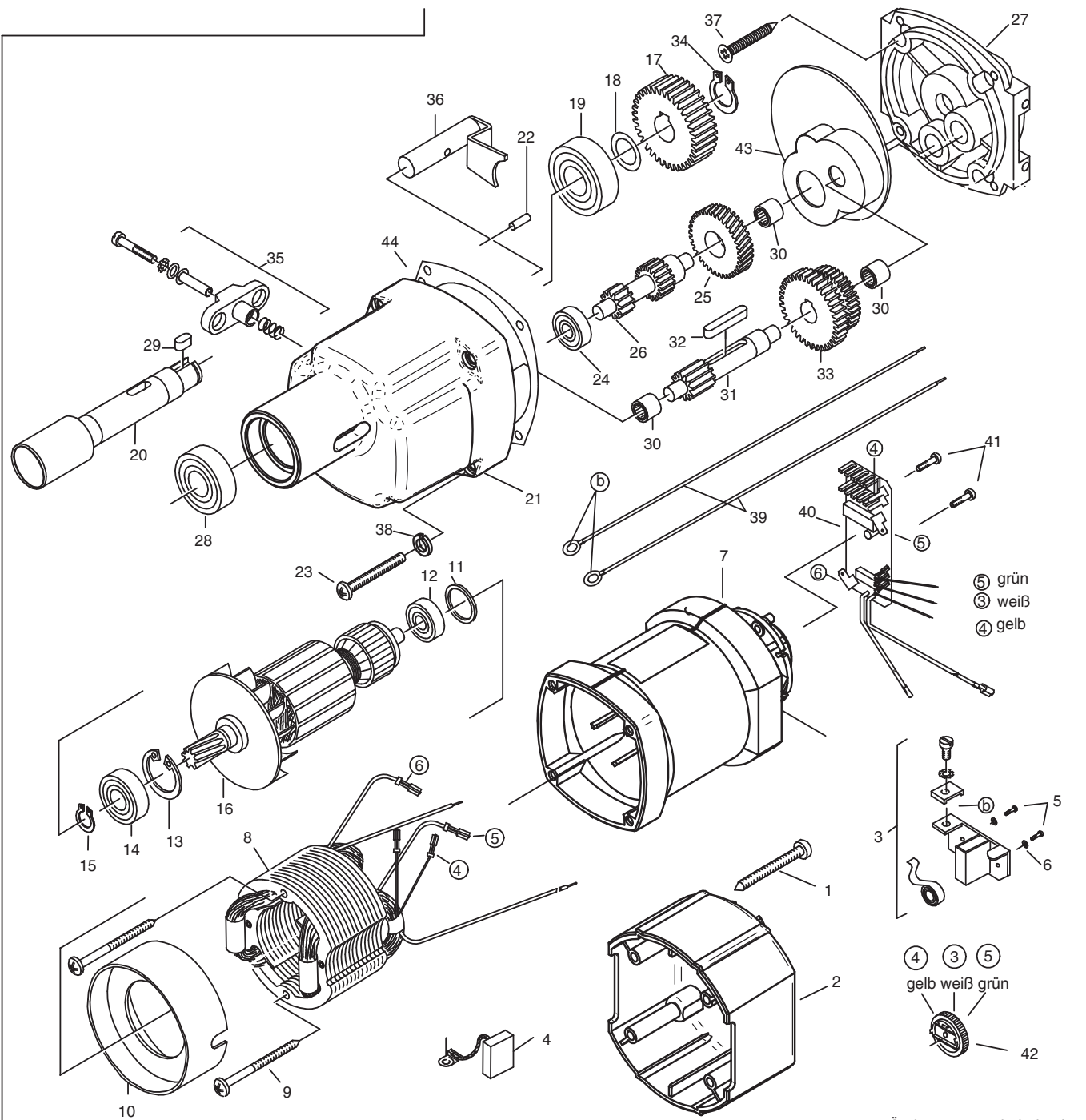
## Parts List



## UNI II - 230V/110V

ITEM No	DESCRIPTION	No:	UDCE STOCK CODE
1	Self tapping screw HC4.8x50	80201284	EIB157
2	Drill Cap (non var spd)	74222240	EIB028
3	Complete brush holder	80201196	EIB035B
4	Carbon brush (SINGLE)	80700013	EIB046A
5	Screw ZM4x12	80201180	EIB173
6	Washer B4	80201385	EIB172
7	Motor Housing	7122A200	EIB051B
8	<b>Field Coil 240V</b>	<b>74222150</b>	<b>EIB056C-2</b>
8	<b>Field Coil 110V</b>	<b>74223150</b>	<b>EIB056C-1</b>
9	Self tapping screw C3.9 x 60	80201266	EIB038
10	Fan Cover	71323140	EIB001
11	O-Ring	83000036	EIB048
12	608 z Bearing	*****	UDC009
13	Circlip 28/1.2	80201333	EIB042
14	6001 2Z Bearing	*****	UDC002
15	Circlip 11/1	80201320	EIB143
16	<b>Armature 240V</b>	<b>7122A100</b>	<b>EIB052-4</b>
16	<b>Armature 110V</b>	<b>7122D100</b>	<b>EIB052-1</b>
17	Main Drive Gear	71323430	EIB004
18	washer 15/22 x 0.2	80200502	EIB061
19	6203 Bearing	*****	UDC014
20	Spindle MT2	71323420	EIB003
21	Gear Box	74222400	EIB002
22	Dowel 4 x 12	80200582	EIB179
23	Screw	80201206	EIB037
24	608 Bearing	*****	UDC009
25	Spur Gear	7132A470	EIB006
26	Twin Geared Shaft	71323500	EIB007
27	Gear Plate	74222610	EIB027
28	6904 Bearing	*****	UDC019
29	Key A5x5x12	80200601	EIB034
30	HK0810 Bearing	*****	UDC020
31	Trailer Gear	71223460	EIB131
32	Key A5x5x28	80200602	EIB034
33	Double Gear	71323440	EIB132
34	Circlip Ext 15mm	80201322	EIB040
35	Gera Change Assembly	71540545	EIB017
36	Gear Lever	71323520	EIB008
37	C/SK screw	80201296	EIB084
38	Supressor	80500010	EIB156
39	Cable Clip	80600164	EIB085
40	Screw HC 2.9 x 13	80201252	EIB196
41	Gear Plate Shield	80900119	EIB083
42	Gear Box Gasket	82000054	EIB086
43	Cable	74322340	*****
44	Spring Washer 5mm	80201302	EIB087

# UNI 2 (Forward/Reverse) Parts List



08/08

Änderungen vorbehalten!

## UNI 2 F/R 230V/110V

ITEM No	DESCRIPTION	No:	UDCE STOCK CODE
1	Self tapping screw HC4.8x50	80201284	EIB157
2	Drill Cap (var spd)	74224240	EIB
3	Complete brush holder	80201196	EIB035B
4	Carbon brush (SINGLE)	80700013	EIB046A
5	Screw ZM4x12	80201180	EIB173
6	Washer B4	80201385	EIB172
7	Motor Housing	7122A200	EIB051B
8	Field Coil 240V	74224150	EIB056B-2
8	Field Coil 110V	74225150	EIB056B-1
9	Self tapping screw C3.9 x 60	80201266	EIB038
10	Fan Cover	71323140	EIB001
11	O-Ring	83000036	EIB048
12	608 z Bearing	*****	UDC009
13	Circlip 28/1.2	80201333	EIB042
14	6001 2Z Bearing	*****	UDC002
15	Circlip 11/1	80201320	EIB143
16	Armature 240V	7122H100	EIB052-2
16	Armature 110V	7122K100	EIB052-1
17	Main Drive Gear	71323430	EIB004
18	washer 15/22 x 0.2	80200502	EIB061
19	6203 Bearing	*****	UDC014
20	Spindle MT2	71323420	EIB003
21	Gear Box	74222400	EIB002
22	Dowel 4 x 12	80200582	EIB179
23	Screw	80201206	EIB037
24	608 Bearing	*****	UDC009
25	Spur Gear	7132A470	EIB006
26	Twin Geared Shaft	71323500	EIB007
27	Gear Plate	74222610	EIB027
28	6904 Bearing	*****	UDC019
29	Key A5x5x12	80200601	EIB034
30	HK0810 Bearing	*****	UDC020
31	Trailer Gear	71223460	EIB131
32	Key A5x5x28	80200602	EIB034
33	Double Gear	71323440	EIB132
34	Circlip Ext 15mm	80201322	EIB040
35	Gear Change Assembly	71540545	EIB017
36	Gear Lever	71323520	EIB008
37	C/SK screw	80201296	EIB084
38			
39			
40	Printed Circuit Board 230v	74224280	EIB057B-2
40	Printed Circuit Board 110v	74225280	EIB057B-1
41	Screw HC 2.9 x 13	80201252	EIB196
42	Speed Control Knob	80500002	EIB045B
43	Gear Plate Shield	80900119	EIB083
44	Gear Box Gasket	82000054	EIB086