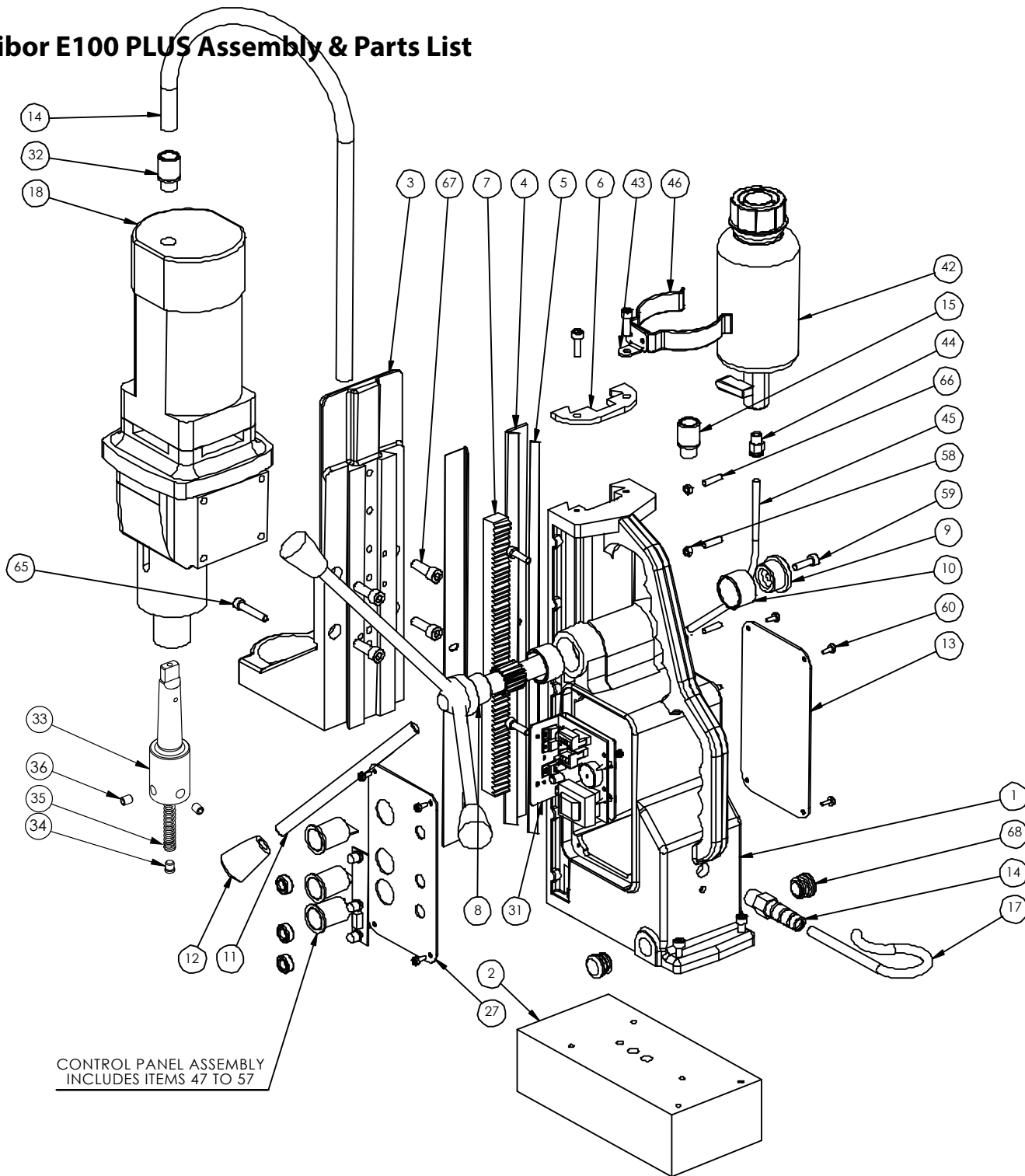
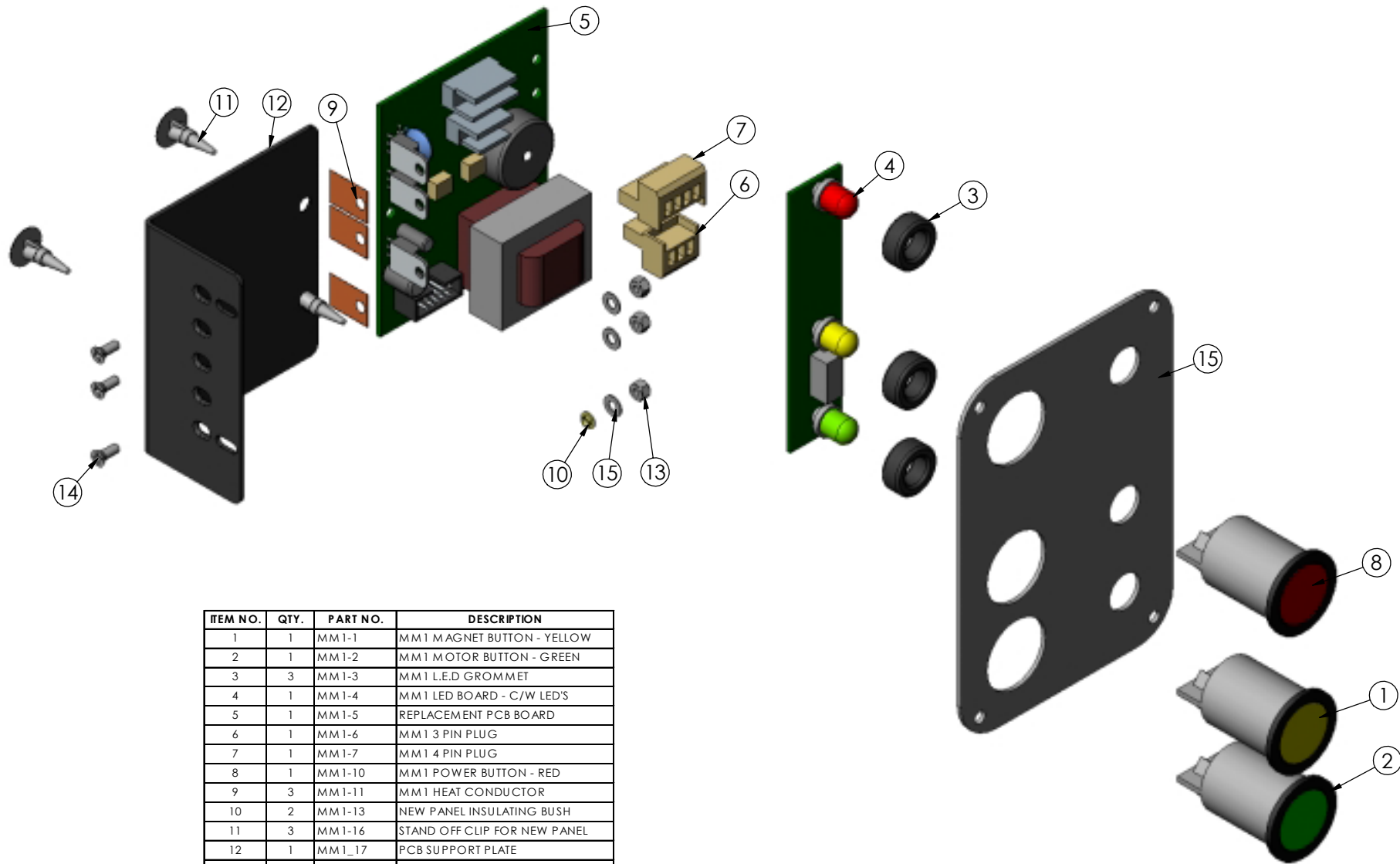


Unibor E100 PLUS Assembly & Parts List



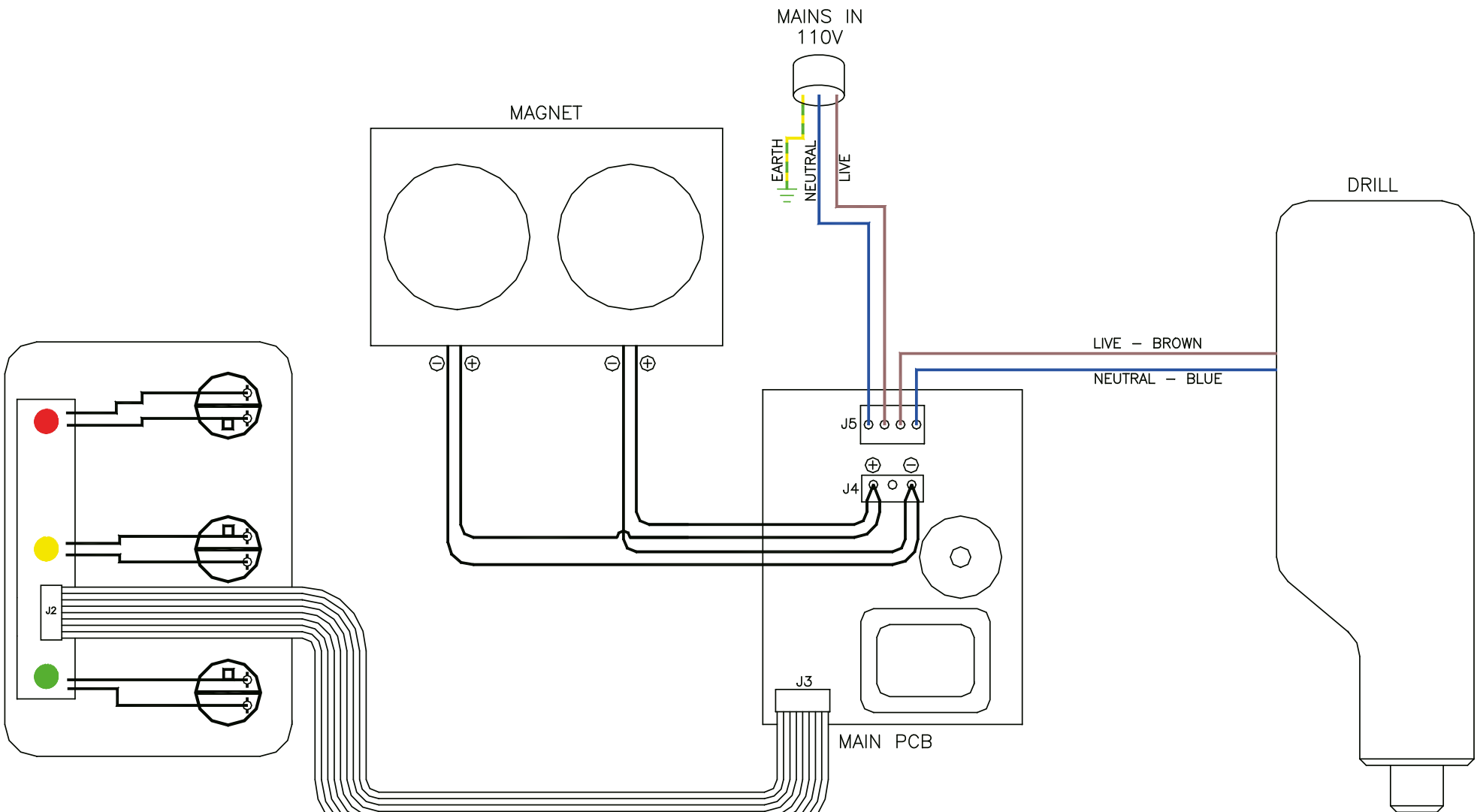
ITEM NO	PART NO	DESCRIPTION	QTY
1	M0005BLU	MT50 BODY (CAPRI BLUE)	1
2	M0033	MAGNET BASE (LARGE)	1
3	20355	EIBENSTOCK CRADLE	1
4	M0103	BRASS RAIL (MT50)	2
5	M0442	G.F.S. (MT50)	1
6	M0813	TOP PLATE (MAGTRON DOVETAIL)	1
7	M0833	RACK (MT50)	1
8	M0042	PINION - MAGTRON (LARGE)	1
9	M0071	PINION END CAP (SHALLOW)	1
10	M0081	BUSH (PINION)	2
11	20346	HANDLE (12mm LARGE)	3
12	10082	HANDLE KNOB (12mm KNOCK ON)	3
13	M0224	WARNING PLATE (MT50)	1
14	M0443	CONDUIT (MAGTAP M13)	1
15	10231	M16 STRAIN RELIEF CABLE GLAND	1
16	40026	M16 PUSH FIT GLAND	1
17	10237-1	CABLE YELLOW (110V)	1
17	KBL 01	CABLE BLACK (240V)	1
18	EIB23	EIBENSTOCK UNI 4 DRILL - 110V	1
18	EIB24	EIBENSTOCK UNI 4 DRILL - 240V	1
18	EIB25	EIBENSTOCK UNI 4 FR DRILL - 110V	1
18	EIB26	EIBENSTOCK UNI 4 FR DRILL - 240V	1
19	STRAP01	POLYESTER WEBBING SAFETY STRAP	1
20	KEY01	ALLEN KEY 2.5MM	1
21	KEY03	ALLEN KEY 4MM	1
22	KEY04	ALLEN KEY 5MM	1
23	DRIF02	DRIFT (No.3 M/TAPER)	1
24	CASE14	CARRYING CASE UNIBOR - PLASTIC	1
25	BOX01	BOX (UNIBOR SLEEVE)	1
26	VISO10	SAFETY GUARD (UNI 3)	1
27	M0242N	LARGE SWITCH PLATE NEW	1
28	10093	M6 X 35 GUARD THUMB SCREW	2
29	10094	M6 GUARD SPACER	2
30	10089	LARGE 2 LEG GUARD GUIDE	2
31	MM1-17	PCB SUPPORT PLATE	1
32	40025	PG9 PUSH FIT GLAND	1
33	ARBO03-A	No3 MT ARBOR BODY	1
34	10205A	ARBOR EJECTION PLUG (M/TAPER)	1
35	SPRI01	ARBOR SPRING (M/TAPER)	1
36	10073	M10 X 10 SET SCREW (FLAT POINT)	2
42	30046	LARGE OIL CUP ASSEMBLY	1
43	10076C	OILFEED BRACKET	1
44	50015C	1/8" BSP - 6MM PUSH FIT CONNec	2
45	BD029	6mm OIL PIPE (OIL FEED ASSY)	1
46	10076	OIL CUP RETAINING CLIP	1
47	MM1-1	MM1 MAGNET BUTTON - YELLOW	1
48	MM1-2	MM1 MOTOR BUTTON - GREEN	1
49	MM1-10	MM1 POWER BUTTON - RED	1
50	MM1-3	MM1 L.E.D. GROMMET	3
51	MM1-4	MM1 LED BOARD - C/W LEDs	1
52	MM1-5	MM1 REPLACEMENT PCB	1
53	MM1-6	MM1 3 PIN PLUG	1
54	MM1-7	MM1 4 PIN PLUG	1
55	MM1-11	MM1 HEAT CONDUCTOR	3
56	MM1-16	STAND OFF CLIP FOR NEW PANEL	3
57	MM1-13	NEW PANEL INSULATING BUSH	2
58	M5-NUT	M5 NUT	5
59	SC620CAP	M6 x 20 CAP SCREW	9
60	SC3TAP	M3 SELF TAPPING SCREW	8

E100 PLUS Electronic Switchplate (Panel P) Dual voltage



ITEM NO.	QTY.	PART NO.	DESCRIPTION
1	1	MM1-1	MM1 MAGNET BUTTON - YELLOW
2	1	MM1-2	MM1 MOTOR BUTTON - GREEN
3	3	MM1-3	MM1 L.E.D GROMMET
4	1	MM1-4	MM1 LED BOARD - C/W LED'S
5	1	MM1-5	REPLACEMENT PCB BOARD
6	1	MM1-6	MM1 3 PIN PLUG
7	1	MM1-7	MM1 4 PIN PLUG
8	1	MM1-10	MM1 POWER BUTTON - RED
9	3	MM1-11	MM1 HEAT CONDUCTOR
10	2	MM1-13	NEW PANEL INSULATING BUSH
11	3	MM1-16	STAND OFF CLIP FOR NEW PANEL
12	1	MM1_17	PCB SUPPORT PLATE
13	3	NUT-M3	M3 NYLOC NUT
14	3	SC36CSK-X	M3 X 6 C'SINK CROSS HEAD SCREW
15	1	-	PANEL FACIA PLATE

E100 PLUS Electronic Switchplate (Panel P) Wiring Diagram (110v)



SWITCH PLATE
AS VIEWED FROM THE
REAR OF THE PANEL

E100 PLUS Electronic Switchplate (Panel P) Wiring Diagram (240v)

