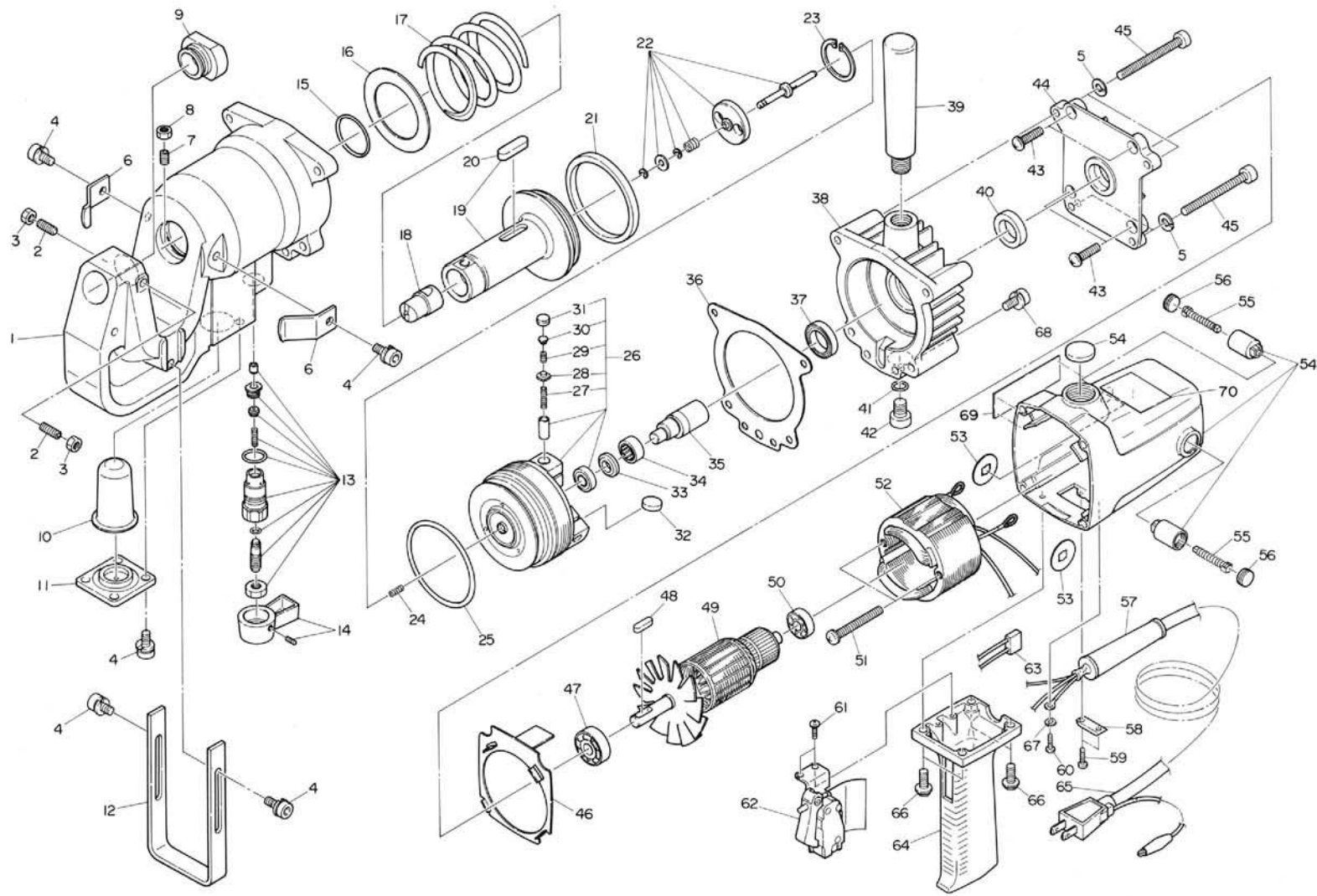


14. E55-0619 Assembly

⚠ CAUTION

The illustration is for information only. Users should never disassemble parts. Contact the sales agent from whom you purchased the tool or the manufacturer, should the tool need service, repair or replacement of parts.



15. E55-0619 Parts List

The parts numbers with () are included in the Ass'y parts written above them. Ⓞ Consumable items * Locally available items

No.	Part No.	Part Name	Q'ty	No.	Part No.	Part Name	Q'ty
1	TQ01337	Frame	1	38	TQ01340	Oil Case	1
* 2	TQ01374	Hex. Socket Set Screw with Cup Point 6 × 16	2	39	TA90586	Side-Handle Ass'y	1set
* 3	TP00667	Hex. Nut Type 1 M6	2	* 40	TQ01357	Oil Seal SC20328	1
* 4	TQ04549	Hex. Socket Head Cap Screw 6 × 14 With Spring Washer	8	* 41	TP05872	O-Ring P-10	1
* 5	TP00629	Spring Washer M6	4	* 42	TP03247	Hex. socket head Cap Screw 10 × 15	1
6	TQ01371	Stripper	2	* 43	TQ01369	Cross Recessed Pan Head Tapping Screw 5 × 12 with Spring Washer	4
* 7	TP12382	Hex. Socket Set Screw with Cup Point 8 × 12	1	44	TQ01368	Motor Flange	1
* 8	TQ01050	Small Hex. Nut Type 3 M8	1	* 45	TQ01373	Hex. Socket Head Cap Screw 6 × 70	4
Ⓞ 9	TK00234	EL Die 18B	1	* 46	TQ01476	Fan Guide	1
10	TQ01341	Oil Bag	1	* 47	TP17438	Ball Bearing 6200Z	1
11	TQ01342	Oil Bag Cover	1	48	TQ01370	Sunken Key 4 × 4 × 18 Round Ends	1
12	TQ01372	Stopper	1	49	TB02024	Armature Ass'y (220-240V)	1set
13	TB00967	Return Valve Ass'y	1set		TB04263	Armature Ass'y (110-120V)	1set
14	TB00969	Return Lever Ass'y	1set	* 50	TP00468	Ball Bearing 608ZZ	1
Ⓞ * 15	TP12005	O-Ring P-43	1	* 51	TQ01477	Cross Recessed Pan Head Tapping Screw 5 × 50 with Spring Washer	2
16	TQ01356	Washer 50.5 × 67.5 × 1	1	52	TB02026	Stator Ass'y (220-240V)	1set
17	TQ01355	Spring 7 × 59 × 60.7	1		TB04264	Stator Ass'y (110-120V)	1set
Ⓞ 18	TK00205	EL Punch 18	1	53	TQ00869	Insulating Washer	2
19	TB01088	Ram Sub Ass'y	1set	54	TB01032	Motor Case Ass'y	1set
* 20	(TQ01349)	Sunken key 8 × 7 × 30 round ends	1	69	(TQ02488)	Name Plate (220-240V)	1
Ⓞ * 21	TQ01348	Y Type Packing OSI 65 × 75 × 6	1		(TQ05460)	Name Plate (110-120V)	1
Ⓞ 22	TB00973	Limit Valve Ass'y	1set	70	(TQ02487)	Warning Label	1
* 23	TQ01068	Circlip JO-34	1	Ⓞ 55	TB00598	Carbon Brush Ass'y	1set
24	TQ01351	Spring 0.6 × 5.2 × 9	1	56	TQ00867	Brush Cap	2
Ⓞ * 25	TP05149	O-Ring P-65	1	57	TQ01478	Cord Armour	1
Ⓞ 26	TB00966	Pump Body Ass'y	1set	58	TP13362	Cable Clamp	1
27	(TQ01040)	Spring 0.6 × 3.2 × 18.4	3	* 59	TQ01479	Cross Recessed Pan Head Tapping Screw 4 × 16 with Spring Washer	2
Ⓞ 28	(TQ01041)	Check Valve	3	* 60	TP00831	Cross Recessed Pan Head Tapping Screw 4 × 6	1
29	(TQ01042)	Spring 0.8 × 4.8 × 6.5	3	* 61	TP11245	Cross Recessed Pan Head Tapping Screw 4 × 10 with Spring Washer	2
30	(TQ01364)	Spring Seat	3	62	TQ01480	Trigger Switch	1
Ⓞ 31	(TQ01365)	Check Valve Cap	3	* 63	TP16481	Capacitor	1
* 32	TQ01045	Magnet 18 × 8.3	2	64	TQ01481	Switch Case	1
33	TQ01350	Washer 10 × 19 × 3.5	1	65	TB02025	Cabtyre Cord Ass'y (220-240V)	1set
* 34	TQ01360	Needle Bearing RNAF 14223	1		TB04265	Cabtyre Cord Ass'y (110-120V)	1set
35	TQ01359	Cam Spindle	1	* 66	TQ01482	Cross Recessed Pan Head Tapping Screw 5 × 20 With Spring Washer	4
36	TQ01366	Gasket	1	* 67	TP04234	Spring Washer M4	1
* 37	TQ01358	Ball Bearing 6804ZZ	1	* 68	TQ03338	Hex. Socket Head Cap Screw 6 × 18 With Spring Washer	2